

# Steam Room Installation Manual

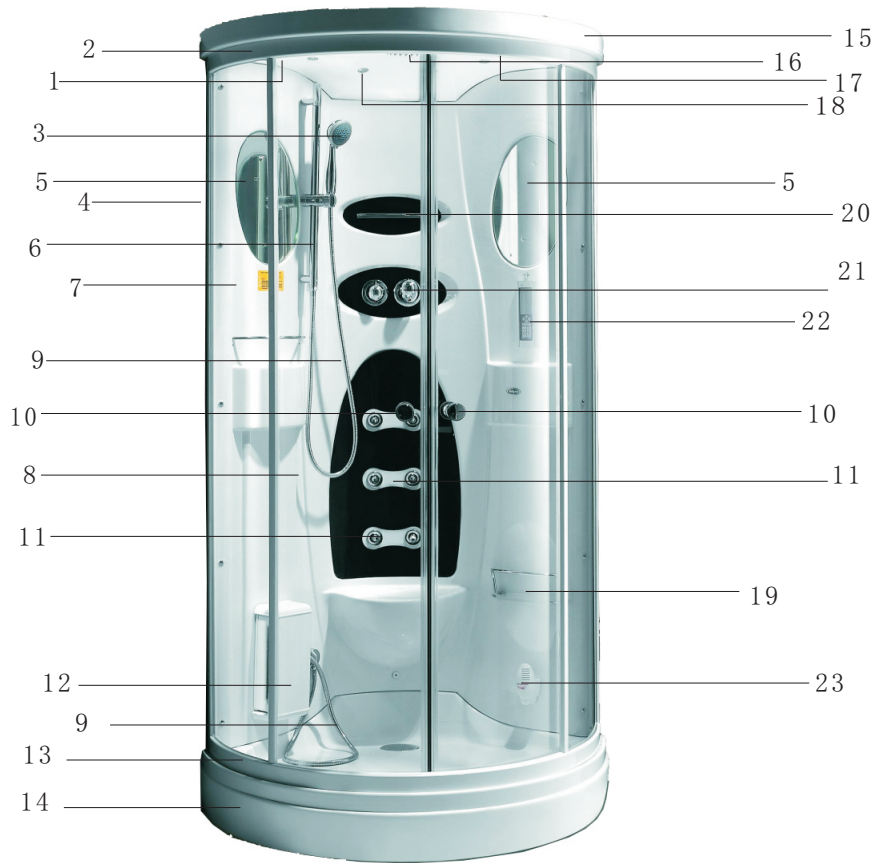
## L52 Series

(L521)

All set up dimensions are in Millimeters

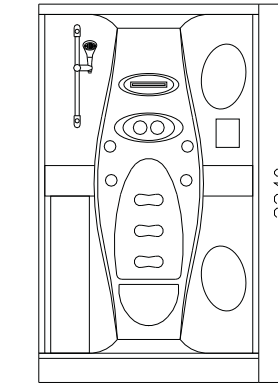


# L521 Steam Room structure

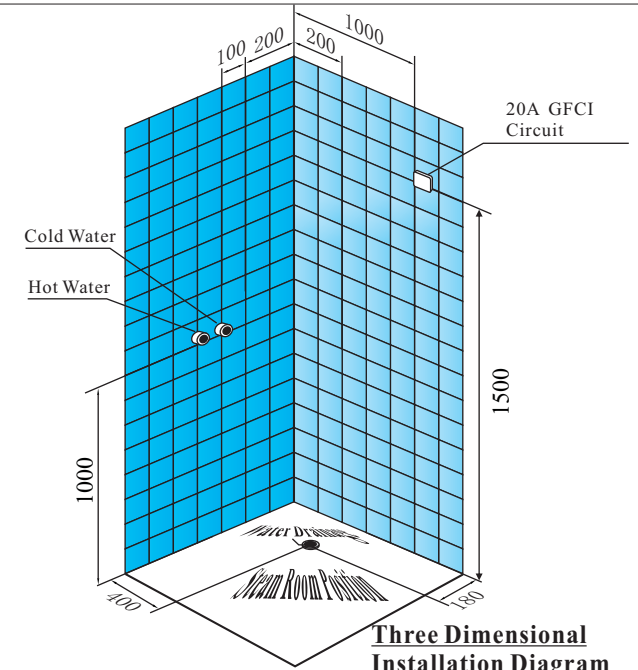


No.	Components	No.	Components	No.	Components	No.	Components
1	Fan	8	Active Glass	15	Top Cover	22	Control Panel
2	Top Track	9	Shower Chain	16	Top Shower	23	Steam Box
3	Handheld Shower	10	Handle	17	Speaker		
4	Edge Aluminum	11	Acupuncture Jet	18	Colorful Top Light		
5	Mirror	12	Foot Massage	19	Storage Shelf		
6	Sliding Bar	13	Bottom Track	20	Scotland Waterfall		
7	Fixed Glass	14	Tray	21	Changeover Switch		

Size: 900x900x2240mm



**Plane Diagram**



**01. Water Supply :** one hot water pipe and one cold water pipe, Install the DN15(G1/2) shut-off valve 1000mm from the floor,  $0.15\text{Mpa} \leq \text{Water Pressure} \leq 0.4\text{Mpa}$ .

**02. Power Supply :** Steam Generator Power :3000W , Rated Voltage : AC220V~240V / 60Hz, Single-phase three-wire 3x4mm<sup>2</sup> copper insulated wire, Independent electrocircuit, install only GFCI breakers with a reliable ground wire protection, Install the 20A GFCI circuit at the 1500mm wall height to connect the steam generator circuit.






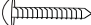
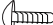
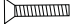







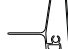


**03. Water Drainage :** the Floor drain outlet should be  $\geq \text{DN}50$  (2 inch), keep the same level as the ground.

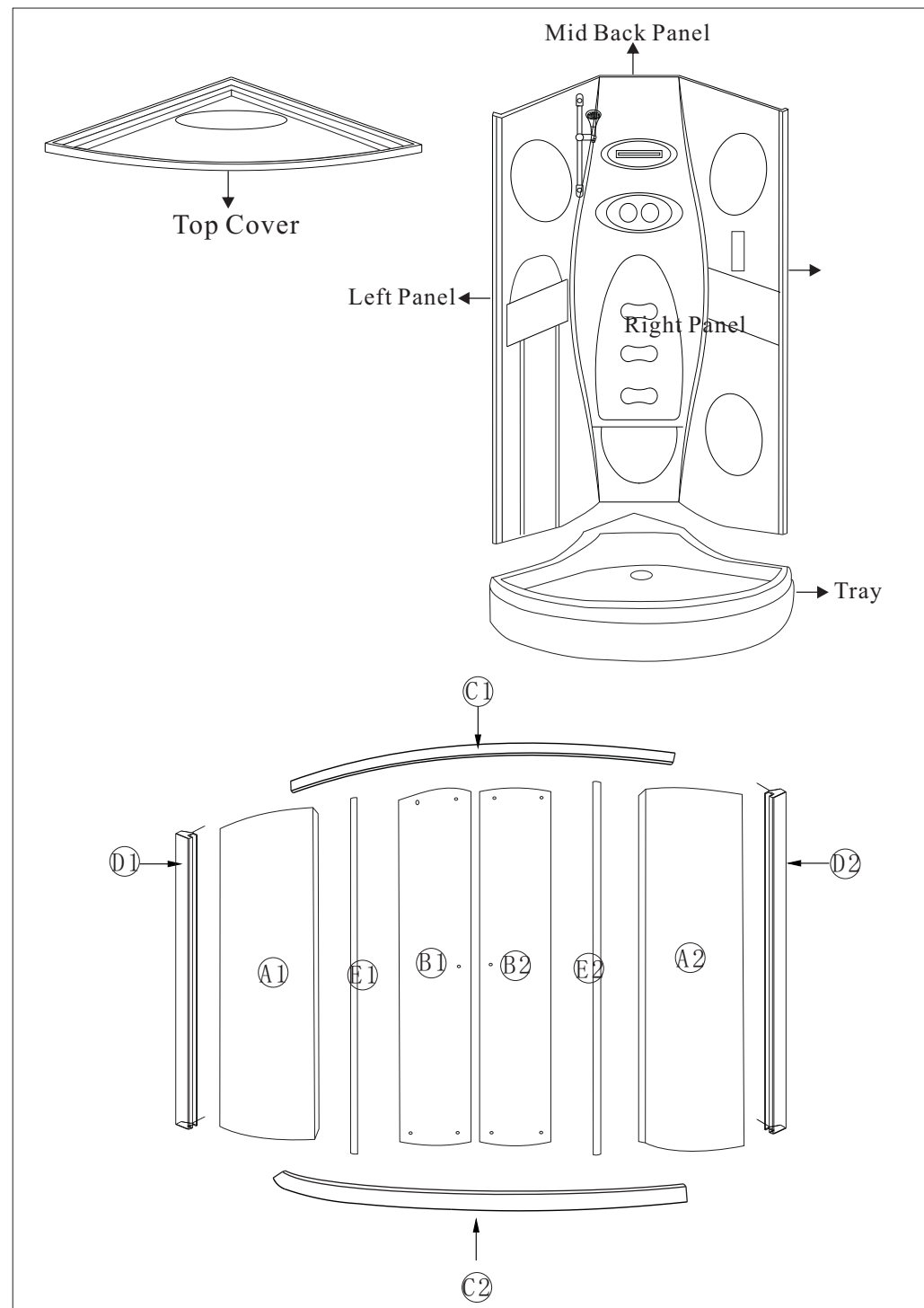
**04.** Models with a telephone and CD, install the telephone and CD socket above the power socket.

### Installation Requirement

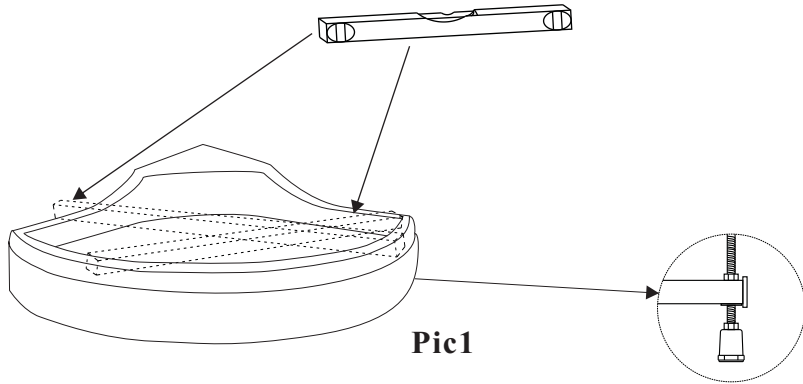
First check the package factory code marked on crates. Numbers should match.

Second prepare the following tools : phillips screwdriver, slotted screwdriver, 6~30# adjustable wrench, level, knife, silicone sealant, caulk gun, wood wedge, plastic hammer .

Installation parts list			
M6x35 hexagon screw		  	10
M6x25 hexagon screw			10
M4x16 self-tapping screw			6
M4x10 self-tapping screw			16
M4x16 screw		 	12
Black Washer		+ 	7+2
H1 Plastic strip			10m
H9 Plastic strip			2
A1 A2 Glass (1895x360mm)			2
B1 B2 Glass (1955x430mm)			2
C1 C2 (3150mm)		Top Track Bottom Track	2
D1 D2 (1965mm)		Edge Aluminum	2
E1 E2 (1896mm)		Fix Aluminum	2
H2 Plastic Washer			4



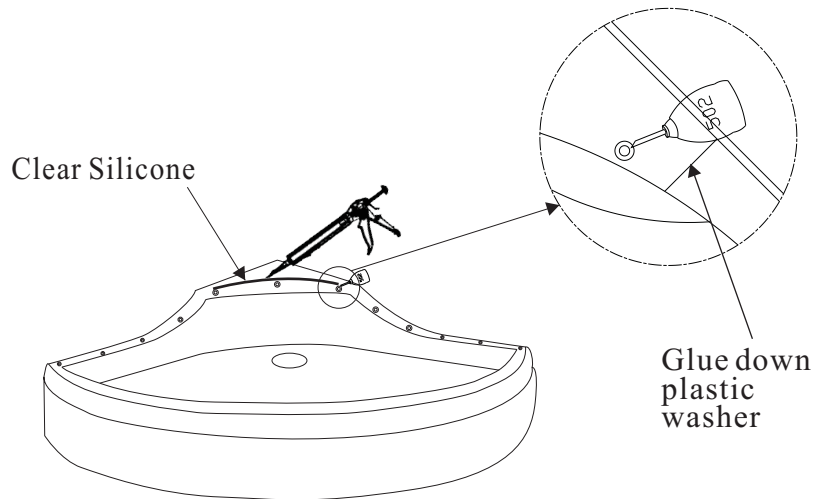
## Installation Steps



**Pic1**

### 1. Install Tray

Move the Tray to the desired location, every ground foot nut should touch the ground, Use the leveling feet to level the tub. Insert the drain pipe into the drainage outlet. Drain should be a minimum of 2 inch dia. Refer to Pic 1

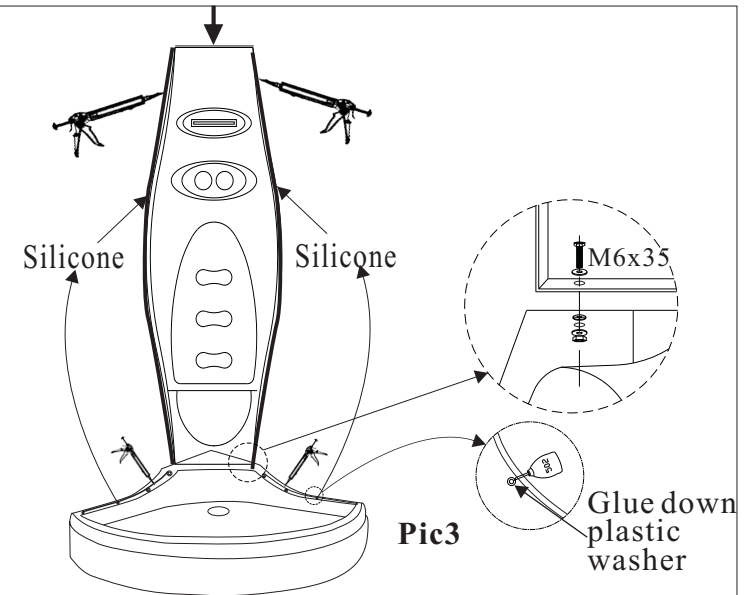


**Pic2**

### 2. Install Mid back panel / Left Panel / Right Panel

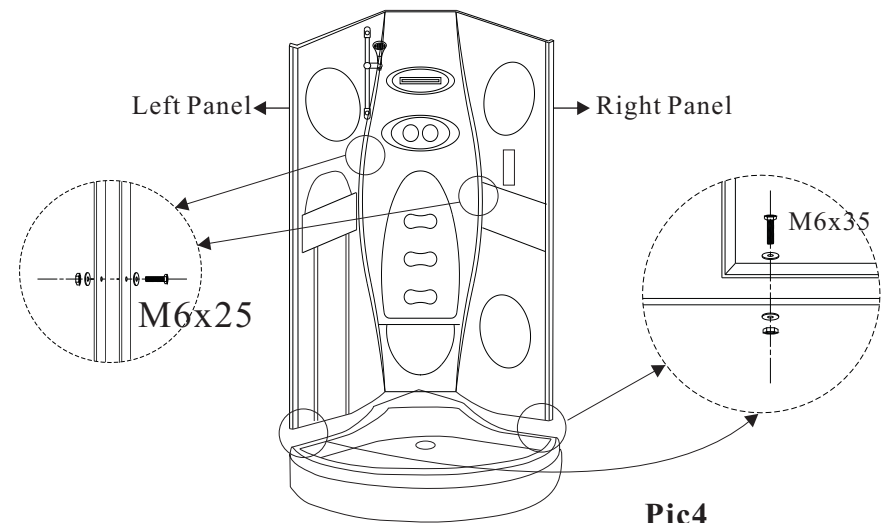
(1) Glue plastic washer to every mid back panel installation hole. Apply silicone continually along the installation holes (As Pic2)

5



**Pic3**

- (2) line up the mid back panel holes to bathtub holes. Use M6x35 hexagon screws to connect( As Pic 3) Leave all hardware loose until unit is completely assembled.
- (3) Apply silicone along the mid back panel left edge. (As Pic 3)
- (4) Glue plastic washer to the left panel installation hole. Apply silicone continually along the installation holes . ( As Pic 3)
- (5) Use M6x25 hexagon screws to connect the Left panel to mid back panel holes. Use M6x35 hexagon screws to connect the Left panel to tray holes .(As Pic 4)
- (6) Use the same method to install the Right Panel.(As Pic 4)

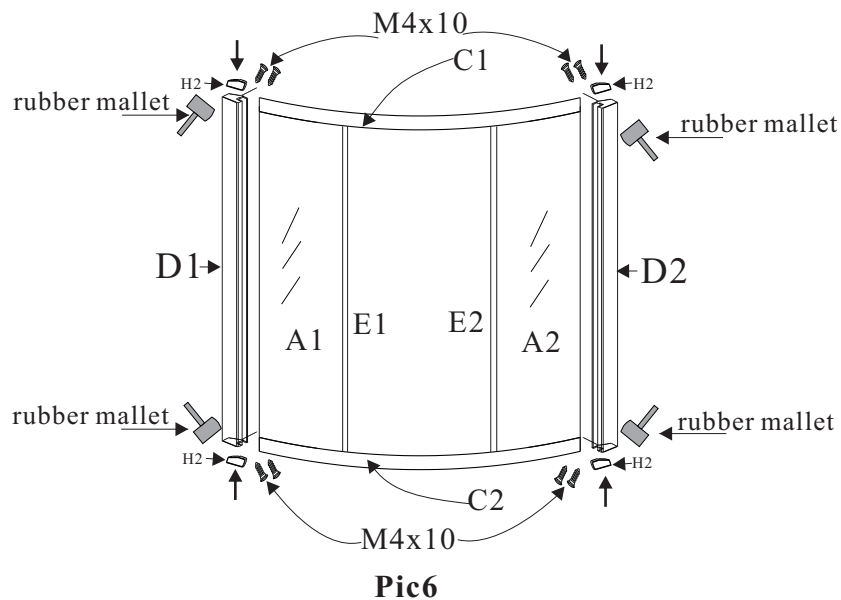
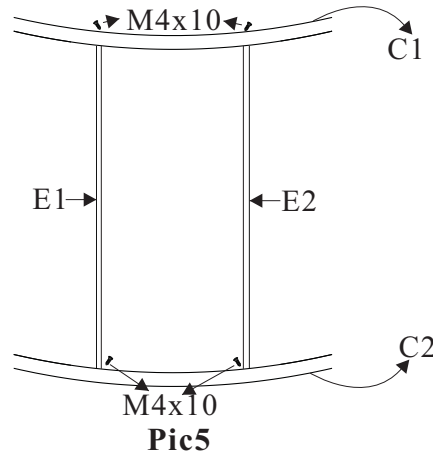


**Pic4**

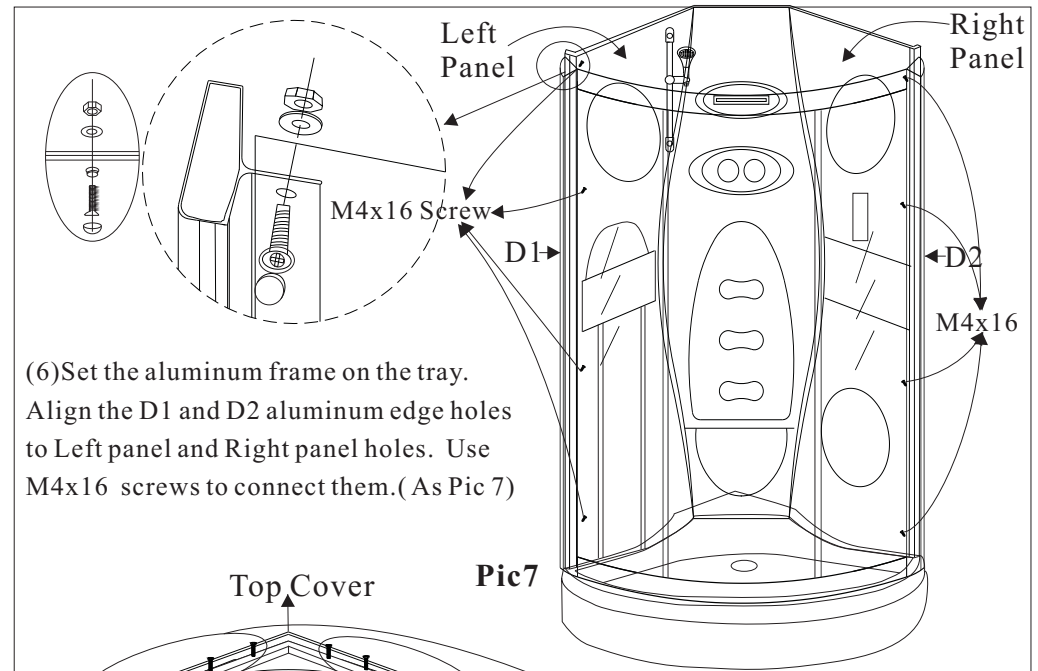
6

### 3. Install Aluminum Frame

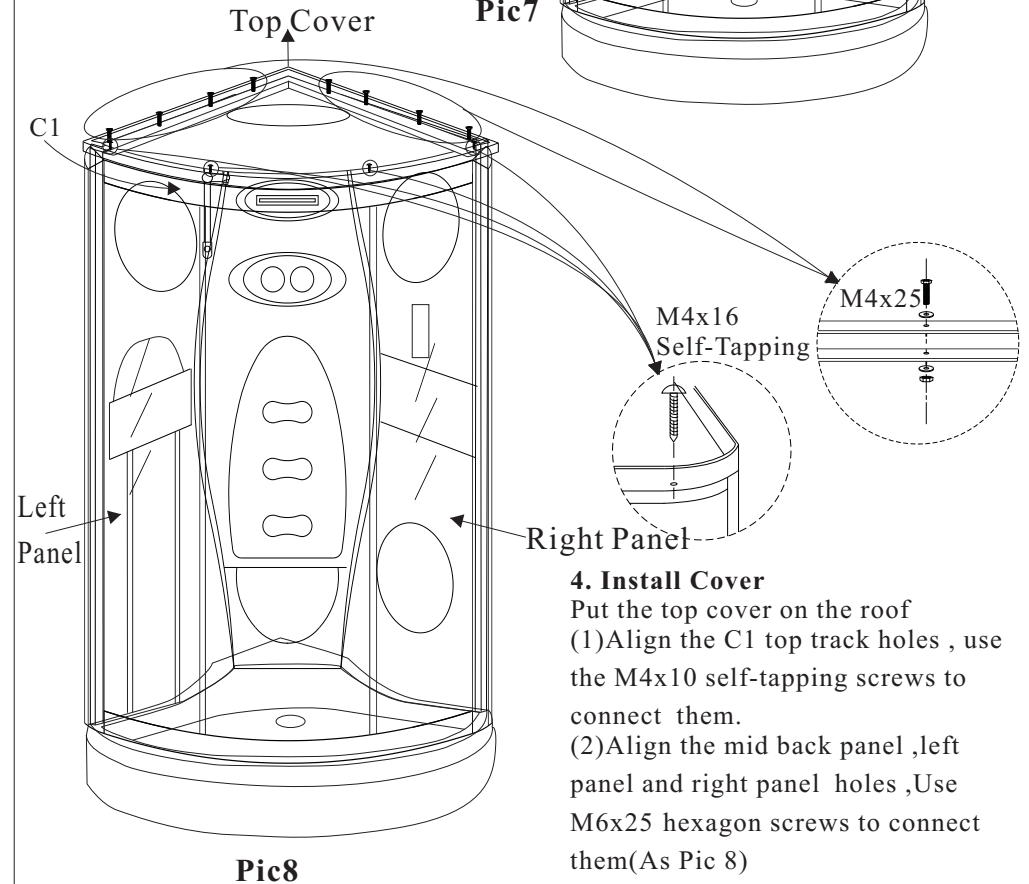
- (1) Connect the C1 top track and C2 bottom track to E1 and E2 aluminum pieces. Use M4x10 self-tapping screws to connect them. (As Pic 5)
- (2) Insert the A1 Glass along C1 and C2 and into E2 aluminum (As Pic 6)
- (3) Install the H2 plastic washer to the D1 edge aluminum
- (4) Insert the D1 edge aluminum into C1 and C2, and around the A1 Glass. Use a rubber mallet to tap lightly into place. Use M4x10 self-tapping screws to connect them.
- (5) Use the same method to install the A2 Glass and F2 edge aluminum



7



- (6) Set the aluminum frame on the tray. Align the D1 and D2 aluminum edge holes to Left panel and Right panel holes. Use M4x16 screws to connect them. (As Pic 7)

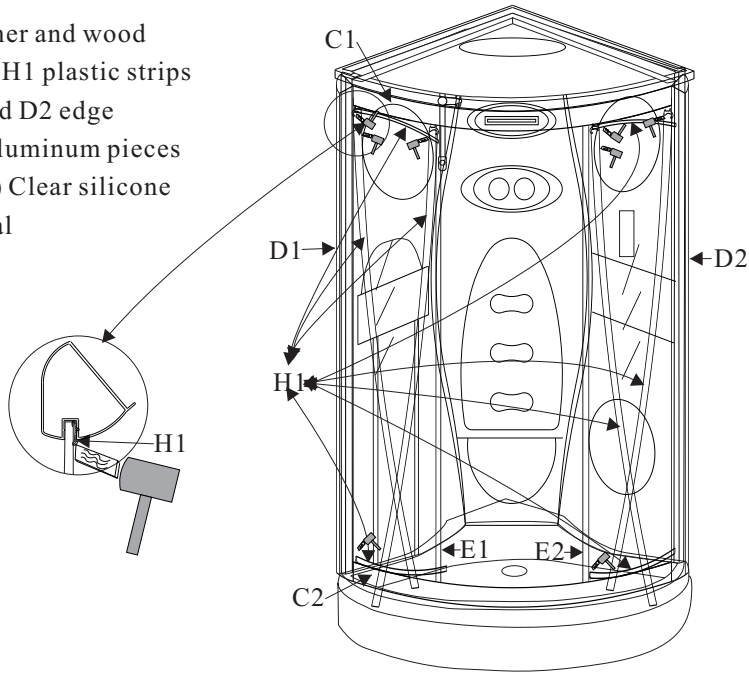


### 4. Install Cover

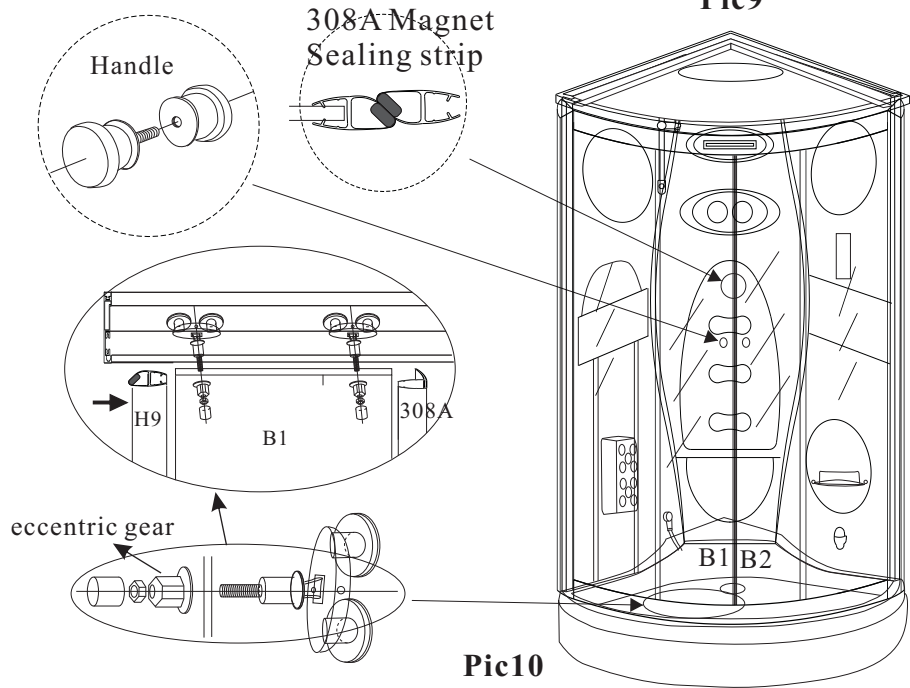
- Put the top cover on the roof
- (1) Align the C1 top track holes, use the M4x10 self-tapping screws to connect them.
  - (2) Align the mid back panel, left panel and right panel holes, Use M6x25 hexagon screws to connect them (As Pic 8)

8

(8) Use Plastic hammer and wood wedge tool, to set the H1 plastic strips into the slots of D1 and D2 edge aluminum , E1 , E2 aluminum pieces and C1,C2 .(As Pic 9) Clear silicone can substitute this seal



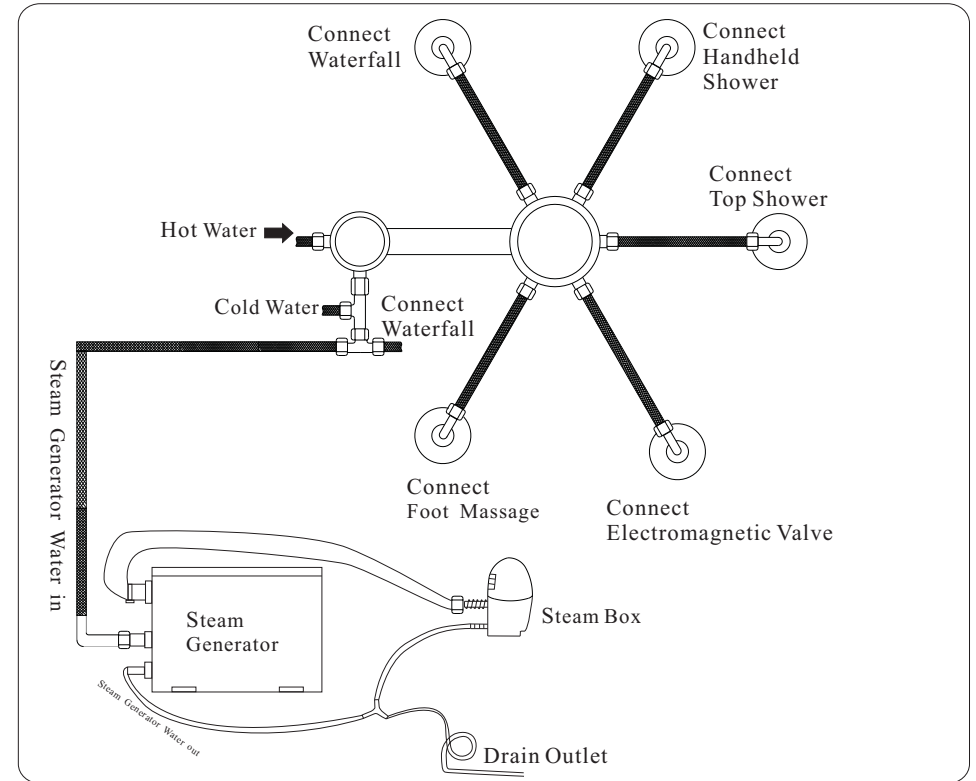
Pic9



Pic10

### 5. Install Glass Door

- (1) Install the eccentric gear and handle to glass B1 , B2 holes, insert the 308A Magnet Sealing Strips to the B1 and B2 glass. (The edge near handle)
- (2) Hang the B1, B2 upper eccentric gear on the inner top track. Turn down bottom eccentric gear to push the B1, B2 into the inner bottom track .
- (3) Adjust the upper eccentric gears to align the doors , then adjust the bottom eccentric gears so that the doors move smoothly. Tighten the nuts and install the wheel caps.
- (4) Insert the H9 plastic strip to the B1, B2. (As Pic 10)



### 7. Connect Electrocircuit

Connect Speaker, exhaust fan, and ozone and so on .

### 8. Sealing the shower chamber

Apply clear silicone to all seams and gaps.

### 9. Test

After finishing installation, connect the water and electrical supply. Make sure the steam room and bathtub function properly , with no leaks.