

Steam Room Installation Manual

L52 Series

(L528)

All set up dimensions are in Millimeters

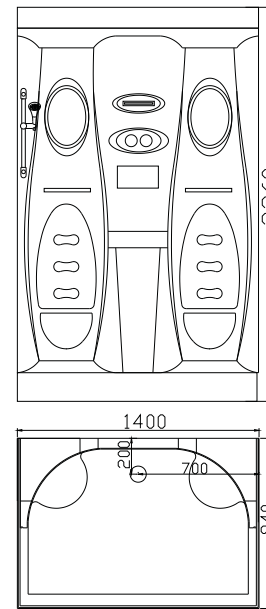


L528 Steam Room structure

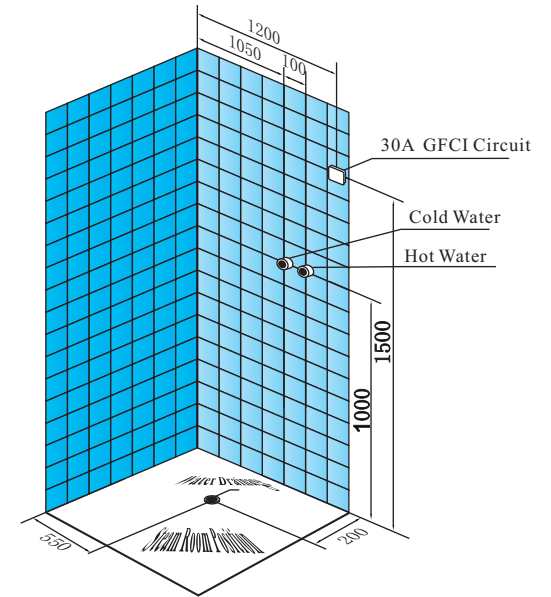


No.	Components	No.	Components	No.	Components	No.	Components
1	Fan	8	Active Glass	15	Top Shower	22	Steam Box
2	Top Track	9	Shower Chain	16	Speaker		
3	Handheld Shower	10	Acupuncture Jet	17	Colorful Top Light		
4	Edge Aluminum	11	Seat	18	Storage Shelf		
5	Mirror	12	Foot Massage	19	Scotland Waterfall		
6	Sliding Bar	13	Bottom Track	20	Changeover Switch		
7	Fixed Glass	14	Top Cover	21	Control Panel		

Size: 1400x940x2260mm



Plane Diagram



Three Dimensional Installation Diagram

01. **Water Supply** : one hot water pipe and one cold water pipe, Install the DN15(G1/2) shut-off valve 1000mm from the floor, $0.15\text{Mpa} \leq \text{Water Pressure} \leq 0.4\text{Mpa}$.

02. **Power Supply** : Steam Generator Power : 4000W, Rated Voltage : AC220V~240V / 50~60Hz, Single-phase three-wire 3x4mm² copper insulated wire, Independent electrocircuit, install only GFCI breakers with a reliable ground wire protection, Install the 30A GFCI circuit at the 1500mm wall height to connect the steam generator circuit.

03. **Water Drainage** : the Floor drain outlet should be $\geq \text{DN50}$ (2 inch), keep the same level as the ground.

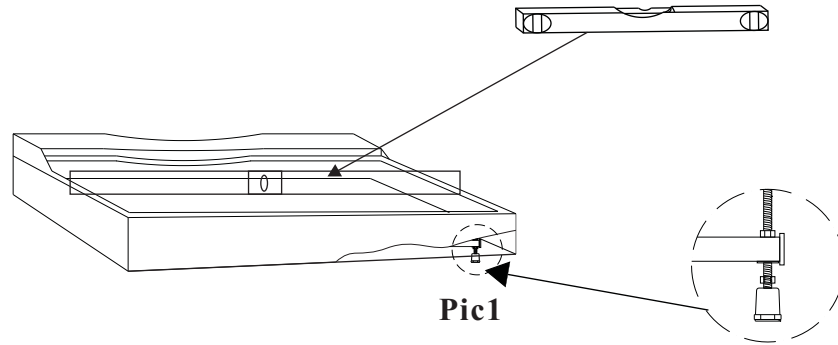
04. Models with a telephone and CD, install the telephone and CD socket above the power socket.

Installation Requirement

First check the package factory code marked on crates. Numbers should match.

Second prepare the following tools : phillips screwdriver, slotted screwdriver, 6~30# adjustable wrench, level, knife, silicone sealant, caulk gun, wood wedge, plastic hammer .

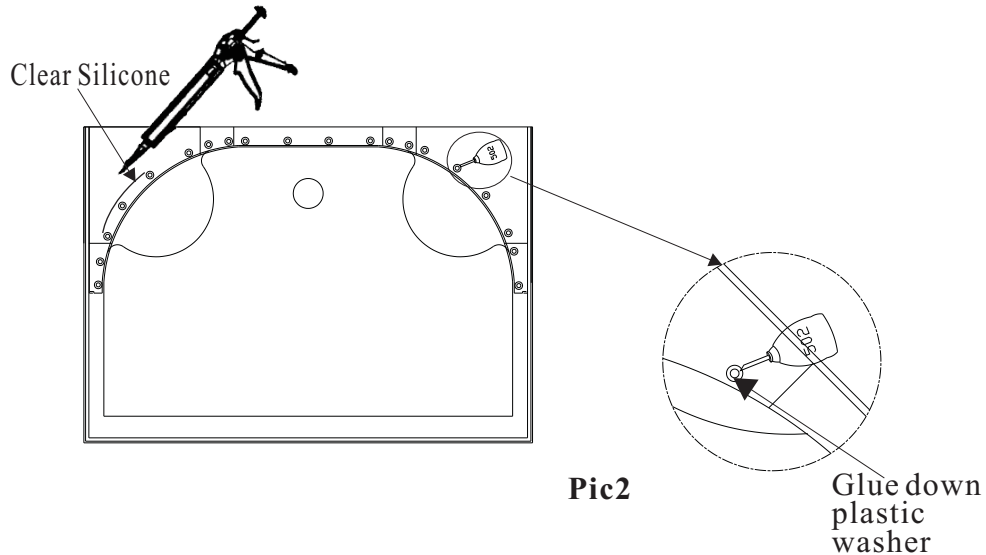
Installation Steps



Pic1

1. Install Tray

Move the Tray to the desired location, every ground foot nut should touch the ground, Use the leveling feet to level the tub. Insert the drain pipe into the drainage outlet. Drain should be a minimum of 2 inch dia. Refer to Pic 1

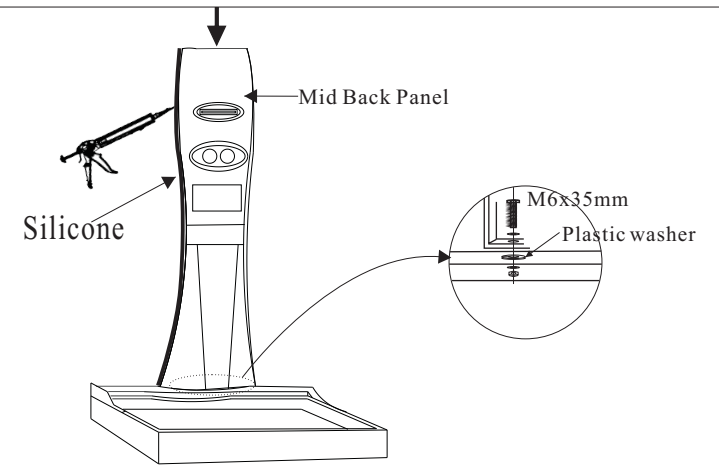


Pic2

2. Install Mid back panel / Left Panel / Right Panel

(1) Glue plastic washer to every mid back panel installation hole. Apply silicone continually along the installation holes (As Pic2)

3



Pic3

(2) line up the mid back panel holes to bathtub holes. Use M6x35 hexagon screws to connect (As Pic 3) Leave all hardware loose until unit is completely assembled.

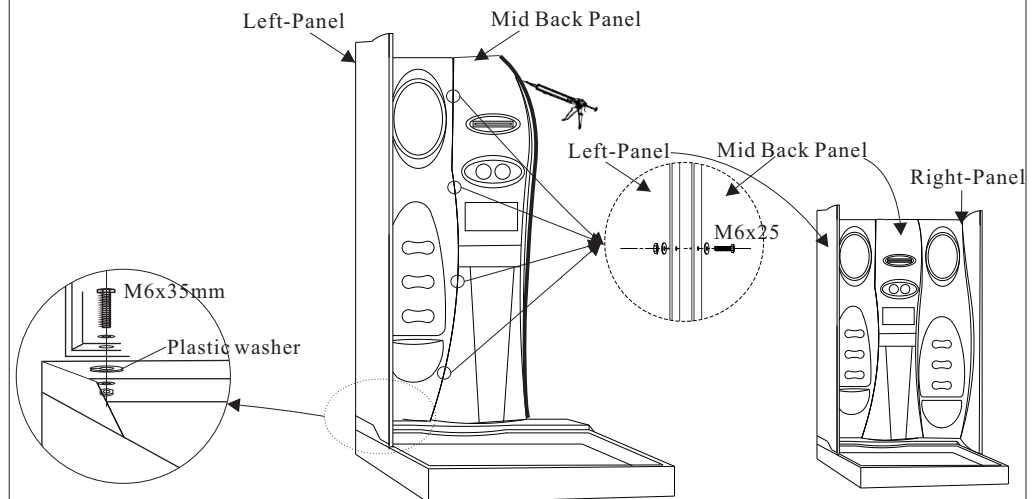
(3) Apply silicone along the mid back panel left edge. (As Pic 3)

(4) Glue plastic washer to the left panel installation hole. Apply silicone continually along the installation holes. (As Pic 2)

(5) Use M6x25 hexagon screws to connect the Left panel to mid back panel holes.

Use M6x35 hexagon screws to connect the Left panel to tray holes. (As Pic 4)

(6) Use the same method to install the Right Panel. (As Pic 5)



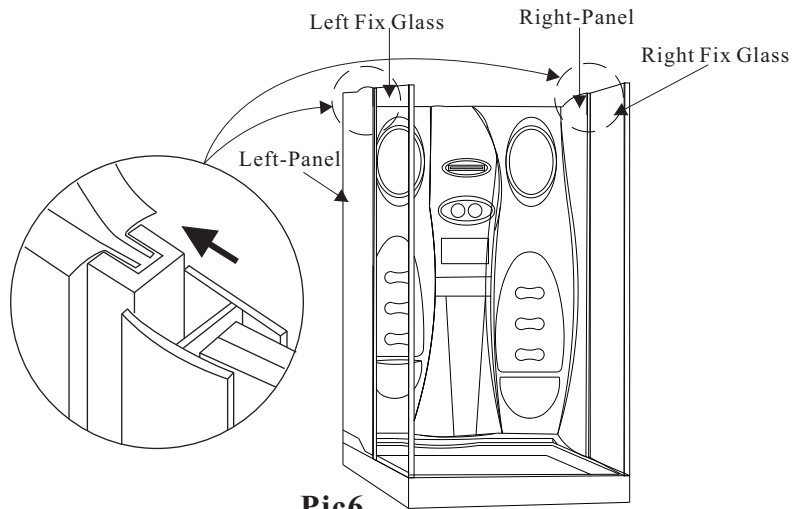
Pic4

Pic5

4

3. Install Aluminum Frame

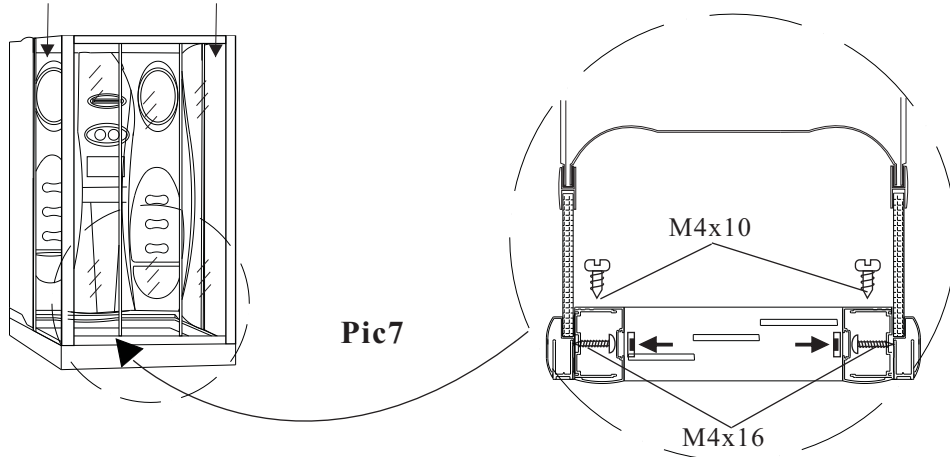
(1) Insert the Left fix glass and Right fix glass into left panel and right panel (As Pic 6)



Pic6

- (2) Set the glass door frame between the left fix glass and right fix glass. (As pic 7)
(3) Align the glass door frame holes to the left fix glass and right fix glass holes, then use the M4x16 self-tapping screws to connect them. (As pic 7)
(4) After glass door frame cline to the fix glass, then in the inner of glass door frame, use the M4x10 self-tapping screws to fix the glass door frame aluminum, then install the screws caps. (As pic 7)

Left Fix Glass Right Fix Glass



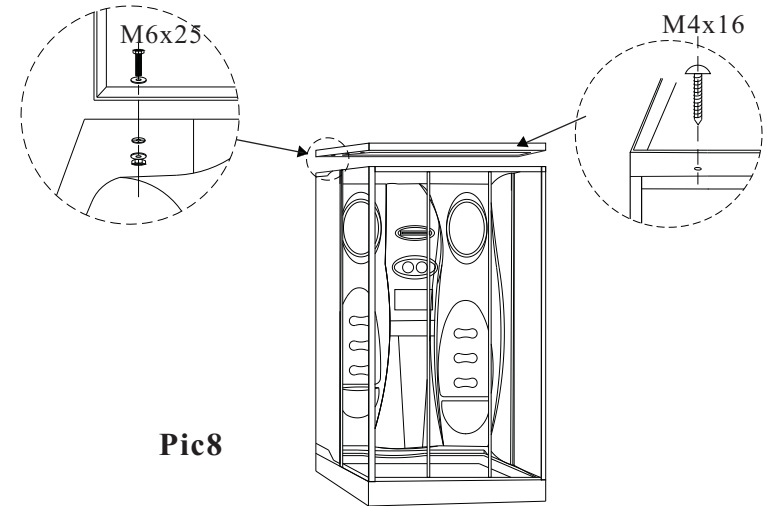
Pic7

4. Install Cover

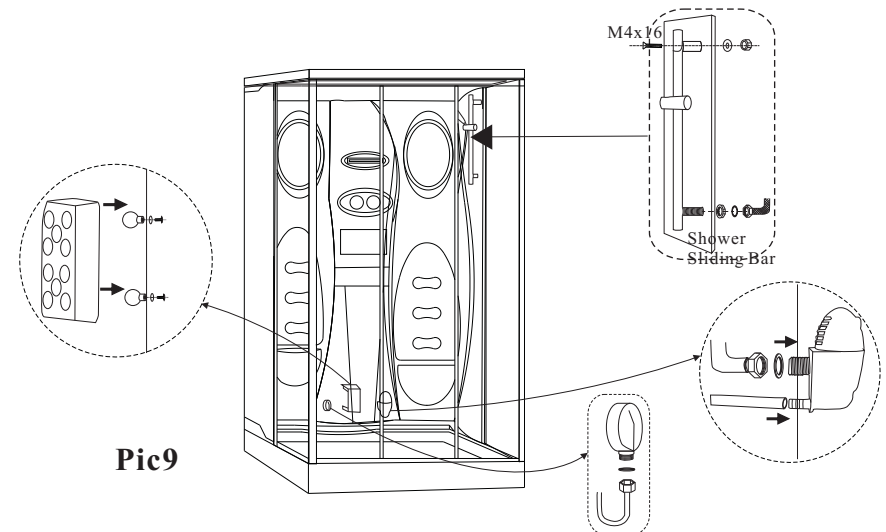
Put the top cover on the roof

(1) Align the left panel and right panel holes , use the M6x25 hexagon screws to connect them.

(2) Align the glass door frame ,left panel and right panel holes ,Use M4x16 self-tapping screws to connect them(As Pic 8)



Pic8

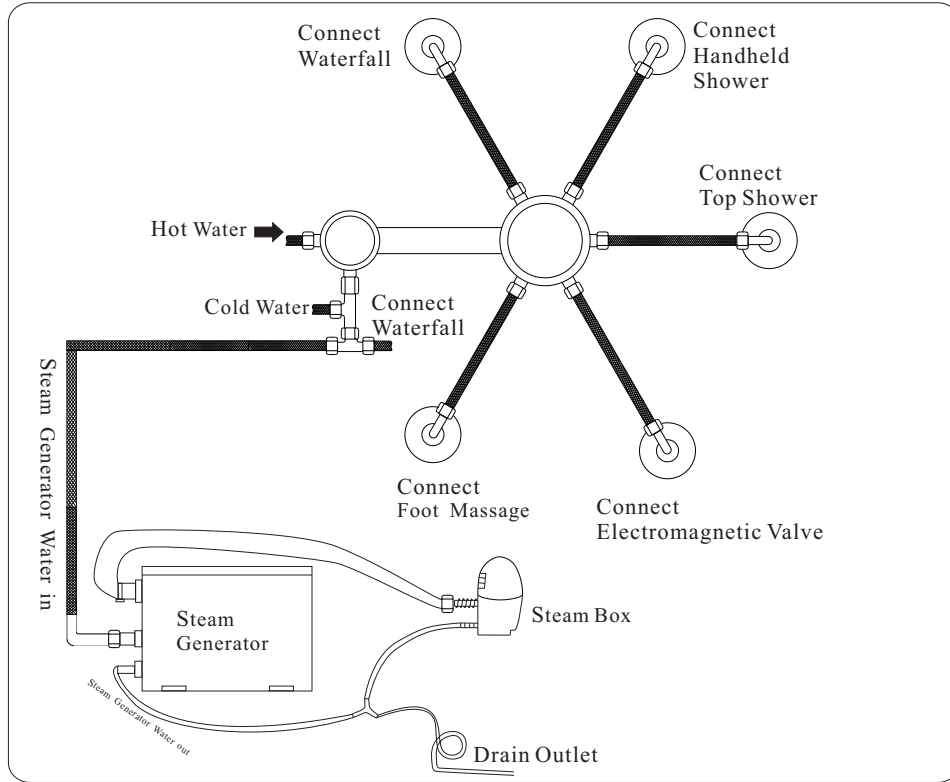


Pic9

4. Install parts:

Install the handheld shower, steam box, storage shelf, foot massage and so on to the steam room corresponding holes. (As Pic 9)

5. Install the pipe (As Water Connection Diagram)



6. Connect Electrocircuit

Connect Speaker, exhaust fan, and ozone and so on .

7. Sealing the shower chamber

Apply clear silicone to all seams and gaps.

8. Test

After finishing installation, connect the water and electrical supply. Make sure the steam room and bathtub function properly , with no leaks.