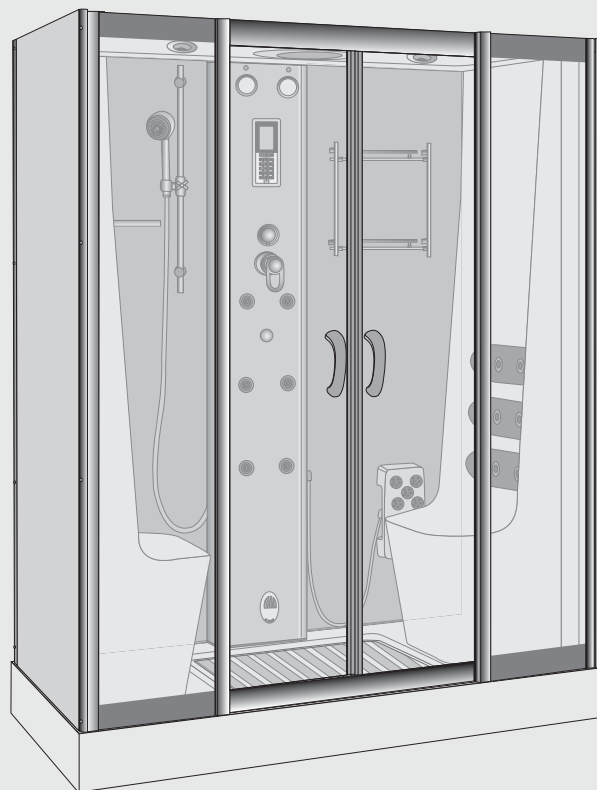


# AQUAPEUTICS

## MONACO INSTALLATION MANUAL



Contents



- Preface ..... 1
- Monaco schmatic diagram ..... 4
- Cross sectional illustration of aluminum materials ..... 5
- Cross sectional illustration of gaskets ..... 5
- Recommended tools ..... 5
- Installation of screws ..... 5
- Electrical parameters ..... 6
- Water and supply installation illustration ..... 7
- Installation steps ..... 8
- Steam generator hook-ups ..... 14
- Steam dispenser instructions ..... 16
- Troubleshooting ..... 18
- Operation Instructions ..... 21

Thank you for choosing the Aquapeutics Monaco computerized steam shower. Please read the following manual in its entirety before assembling your unit. It is also very important to follow the safety suggestions outlined below at every use.

### Safety Instructions

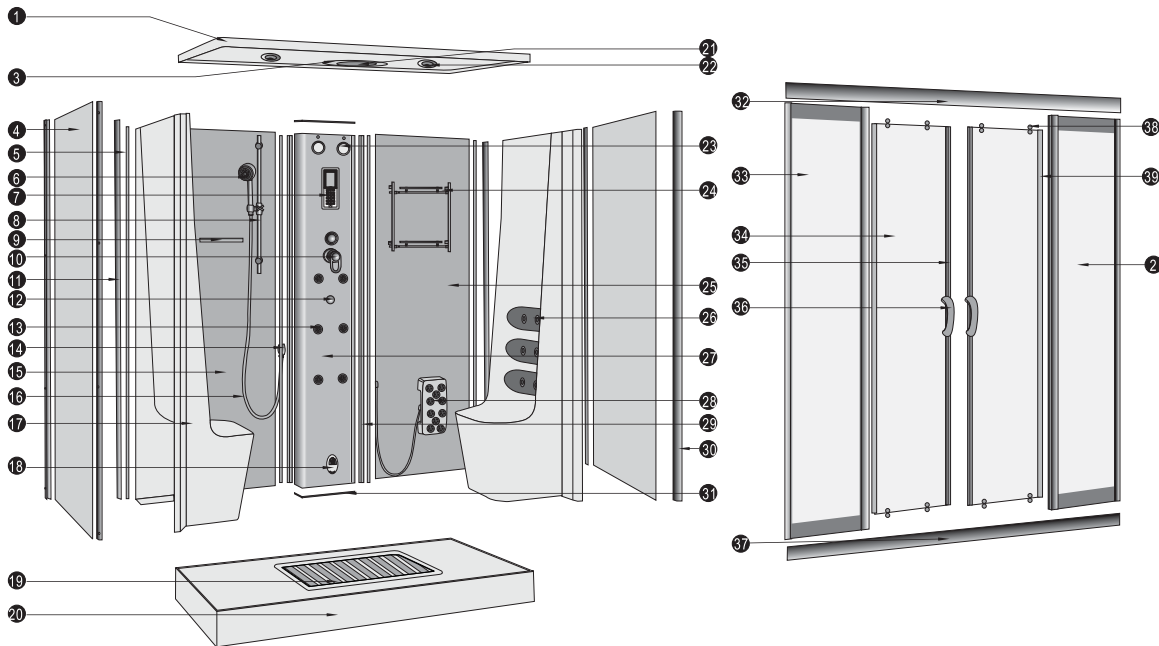
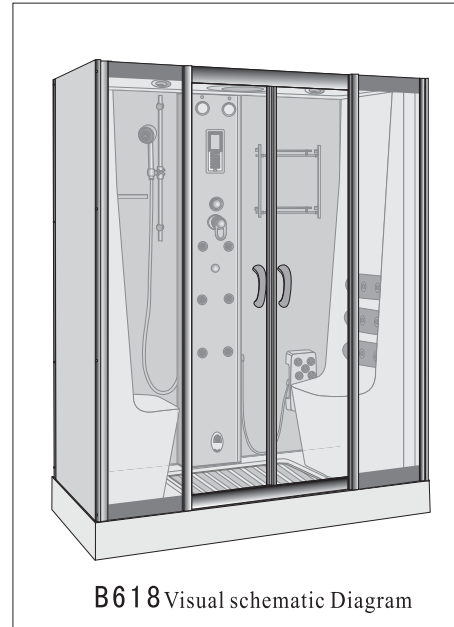
1. Please keep in mind that like most shiny bathroom surfaces when they get wet they may become slippery. Take care not to slip or fall.
2. Children should only use this product under adult supervision.
3. Users who suffer from heart disease or have high blood pressure should exercise greater care when using this product.
4. Senior citizens, pregnant women and those who are of ill health are advised to get a doctors opinion on the recommended frequency of use of this product.

### Package & Preparation information

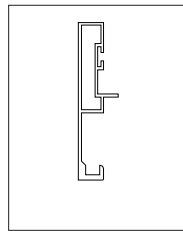
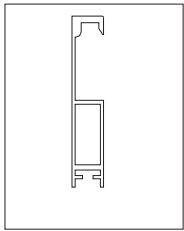
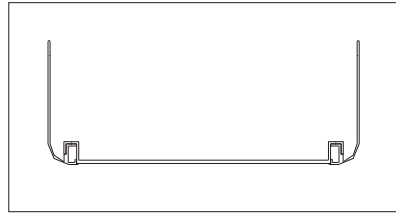
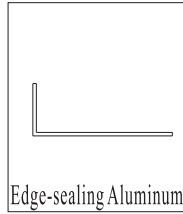
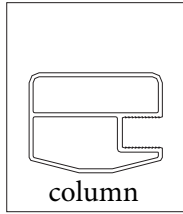
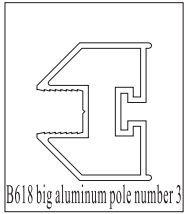
1. Upon arrival your Aquapeutics spa it is IMPERATIVE that you inspect for exterior damage to the shipping crates before signing the delivery receipt. DO NOT refuse the shipment if you see ex-ternal damage! Simply note the damage on the delivery receipt with the driver. Very rarely does external damage equate to in-ternal damage to the unit. In the rare event that there is internal damage we can replace the piece that is damaged rather than re-place the entire unit.
2. It is recommended that all rough plumbing and electrical work be completed before the assembly of your Monaco begins.
3. At least two people are required to lift the larger pieces into position during installation.

Schematic diagram

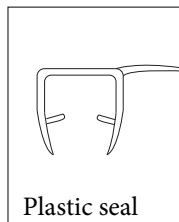
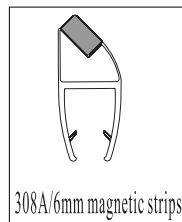
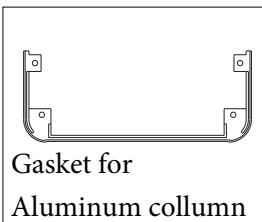
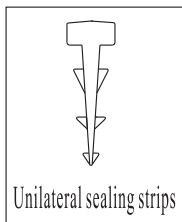
- |                             |                           |
|-----------------------------|---------------------------|
| ① Shower cover              | ②④ Soap dispenser         |
| ② Front glass               | ②⑤ Back Panel Back        |
| ③ Rainfall shower           | ②⑥ rest cushion           |
| ④ Side panel                | ②⑦ Center panel           |
| ⑤ Unilateral sealing strips | ②⑧ Foot Massage device    |
| ⑥ Handheld shower           | ②⑨ Aluminum spacer        |
| ⑦ Control panel             | ③⑩ Aluminum profile       |
| ⑧ Shower pole               | ③⑪ Gasket                 |
| ⑨ Towel bar                 | ③⑫ Top aluminum track     |
| ⑩ Function selector         | ③⑬ Left fixed glass panel |
| ⑪ Aluminum profile          | ③⑭ Sliding door           |
| ⑫                           | ③⑮ Magnetic seals         |
| ⑬ Accupuncture jets         | ③⑯ Door handle            |
| ⑭ Clamp                     | ③⑰ Lower aluminum track   |
| ⑮ Back panel                | ③⑱ Door rollers           |
| ⑯ Shower hose               | ③⑲ Plastic seals          |
| ⑰ Integrated seat           |                           |
| ⑱ Steam dispenser           |                           |
| ⑲ Wooden grate              |                           |
| ⑳ Shower tray               |                           |
| ㉑ Overhead light            |                           |
| ㉒ Fan                       |                           |
| ㉓ Background lights         |                           |



## Cross sectional illustration of aluminum materials



## Cross sectional illustration of rubber/plastic seals



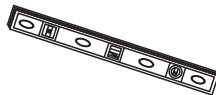
## Recommended tools



Screwdriver



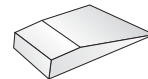
Tape measure



Level



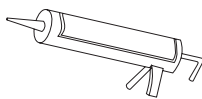
Wrenches



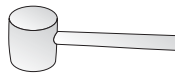
Plastic axes



Allen wrench



Glue guns



Rubber hammers



M6X40 hex head machine bolts



ST4X16 round head self tapping screws



M6 nuts

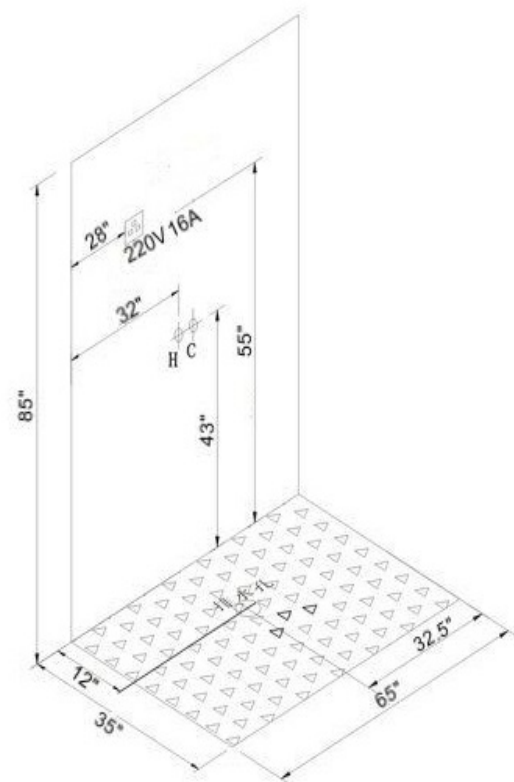
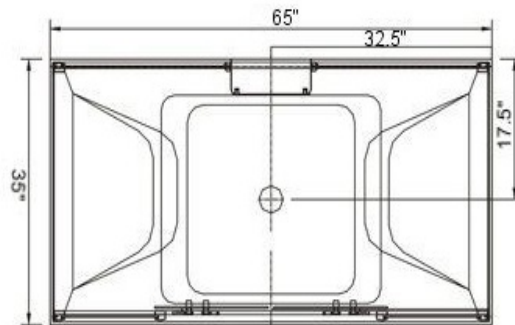
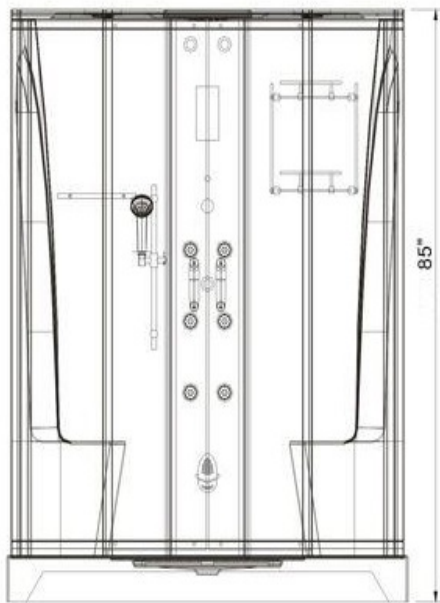


M6 screw washer

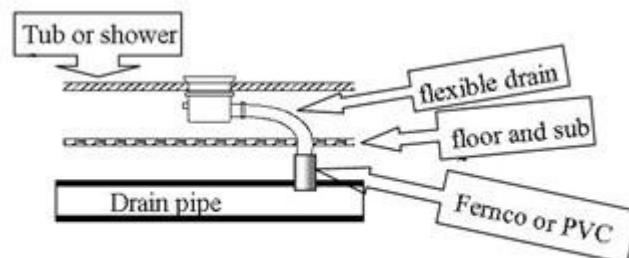
Electrical Parameters

Power supply		Steaming machine parameters				
Voltage	Frequency	Model	Rated power	Current	Dimensions	
220V	60Hz	E-BF600	3.6KW	16 amps	65"x35"x85"	

Rough in diagram



Drain pipe can be offset as much as 6 inches from tub drain.



## MODEL: Monaco Installation instructions :

A. Water supply: Hot and cold water supply lines are half inch NPT pipe thread

B. Power supply : A 220Volt, 16 amp service with GFI is necessary to energize the steam room-spa .

C. The size of breakers and wire gages needed is determined by local, state and national codes as interpreted by the installing electrician. The length of the wire going to the steam generator from the wall should be 5 feet, while the length of the telephone line needed is 7 feet. This allows the unit to be pulled out from the side walls if maintenance is ever needed.

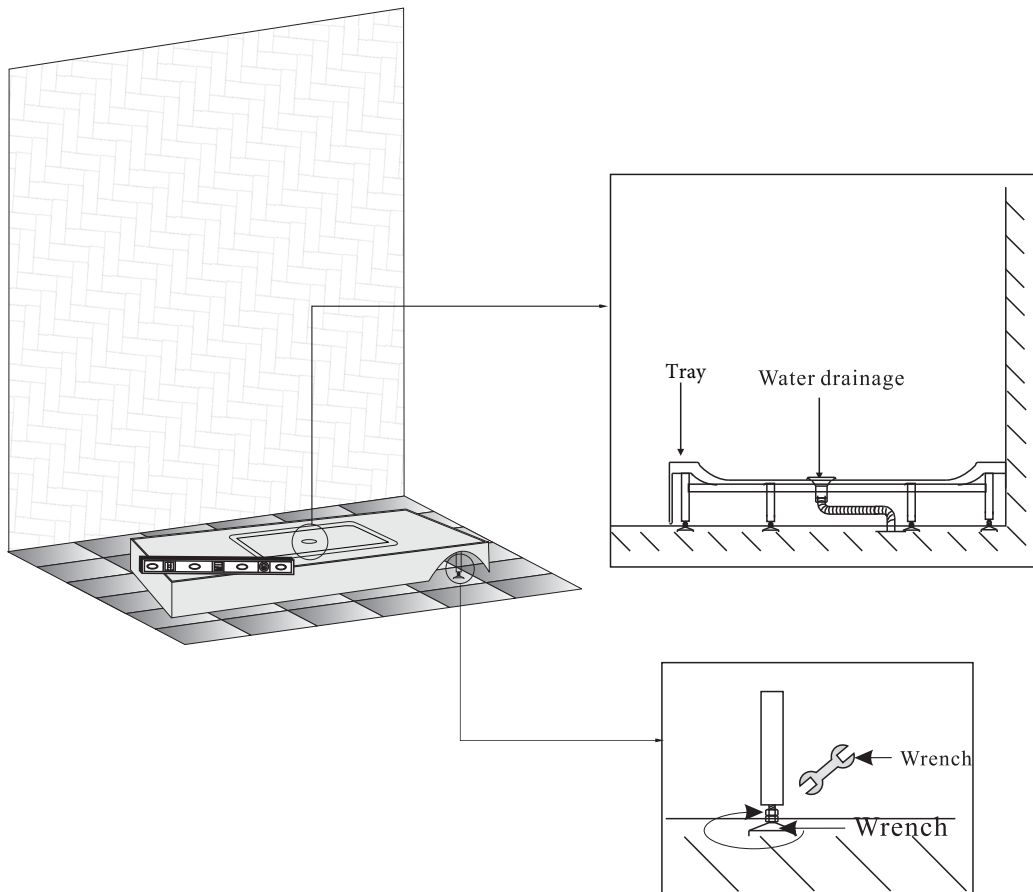
D. Drainage: The diameter of the drain pipe needs to be at least 2 inches. The position of the drain hole can be within 6 inches from the hole shown in the drawing on the previous page.

### Notes:

- (1) The distance from the top of the steam room to the ceiling of the area where it is installed should be 4 inches or greater. (The room should be at least 4 inches taller than the spa.)
- (2) It is recommended that the water pressure be at least 43 PSI and both the cold and hot water pressure should be as equal as possible. If the pressure is lower than required, have your plumber install the necessary equipment to increase the water supply pressure.
- (3) Please have ground fault interrupter (GFI) protection on all power supply lines to the spa.
- (4) It is easier to line up all panels with the hardware loose. During initial assembly please attach all fasteners loosely, then when the unit is completely erected, snug up all bolts and screws.

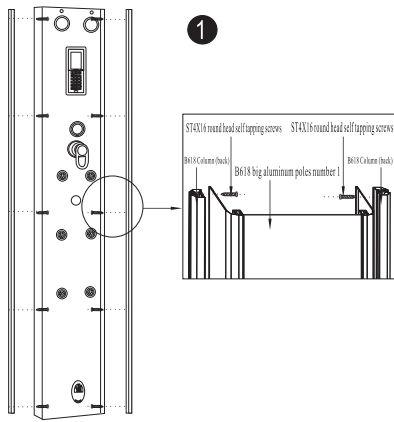
## Installation steps

1. Place the shower floor unit 16-24 inches from its final installed location. Now adjust the leveling feet to bring the unit flat and level by using a 3 foot level and an open end or adjustable wrench to turn the adjusting nuts. This will raise or lower each corner as needed. Once the unit is level and flat lock each leg into position with its locking nut.

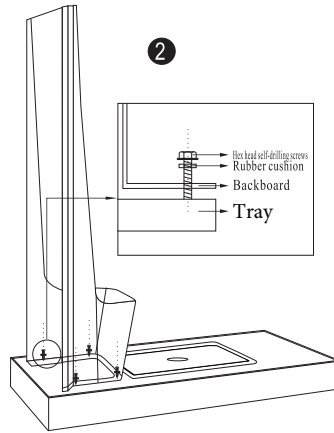


( See diagram1 )

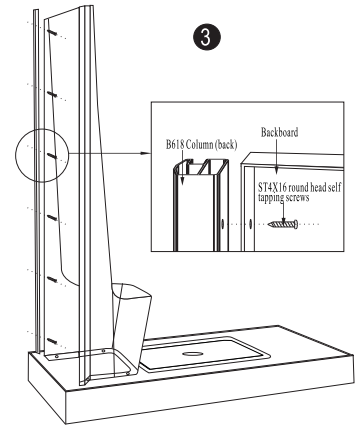
## 二、Installation of Left Glass :



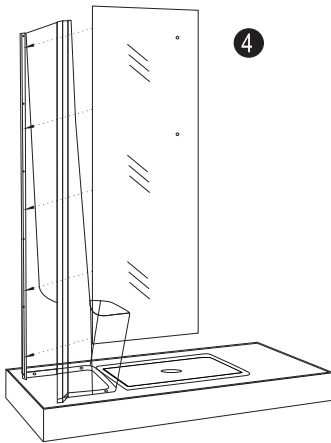
Step 1: Affix aluminum pole # 1 to aluminum center column.



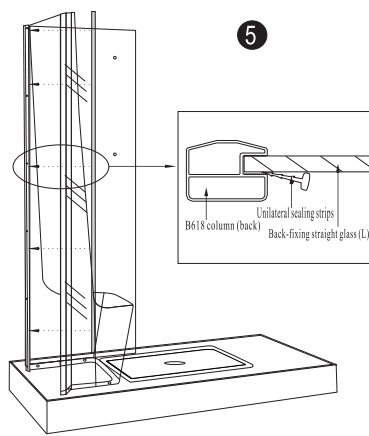
Step 2: Affix left integrated seat to shower tray



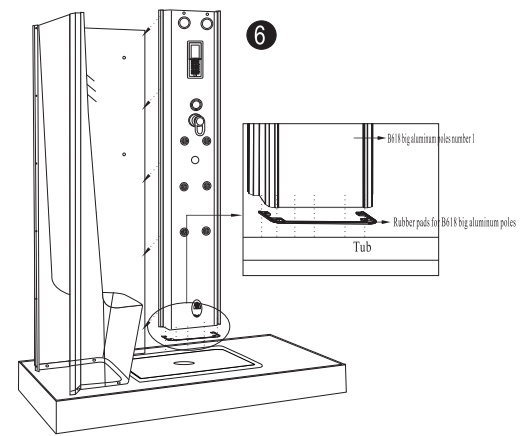
Step 3: Affix aluminum columns to integrated seat as pictured.



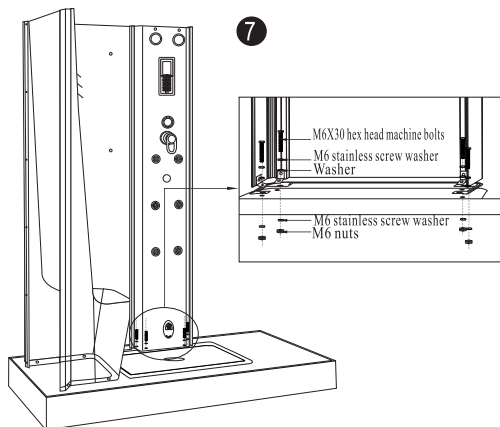
Step 4: Insert left back fixed glass into left integrated seat column



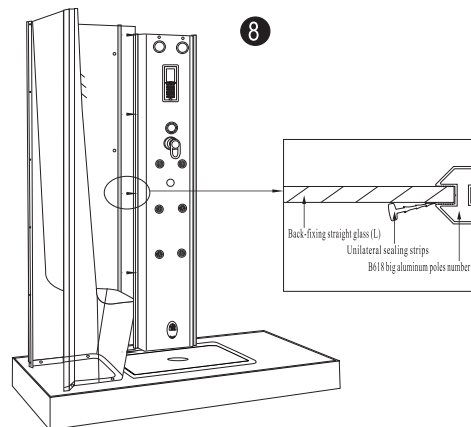
Step 5: Seal the joint using marine grade silicone.



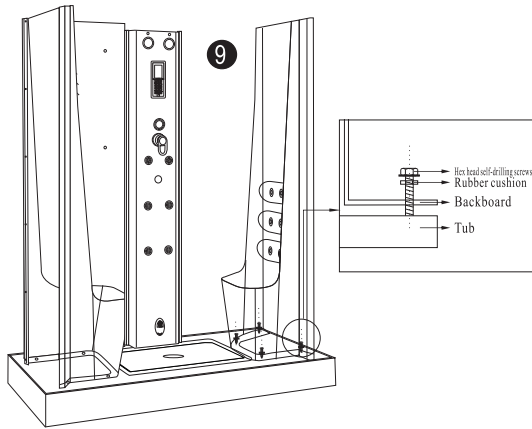
Step 6: Affix aluminum pole to left fixed glass.



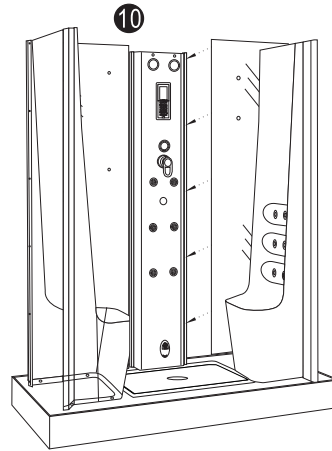
Step 7: Secure center column to tray using screws in illustration.



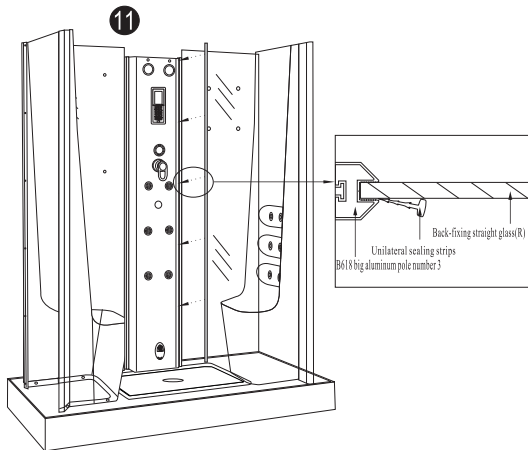
Step 8: Seal the joint using marine grade silicone.



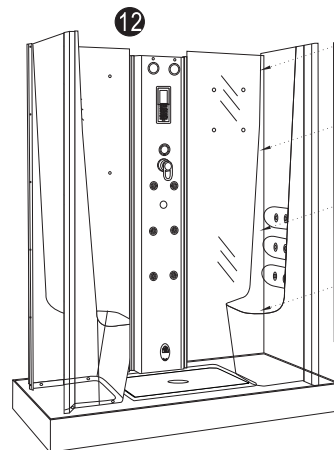
Step 9: Affix left integrated seat to shower tray



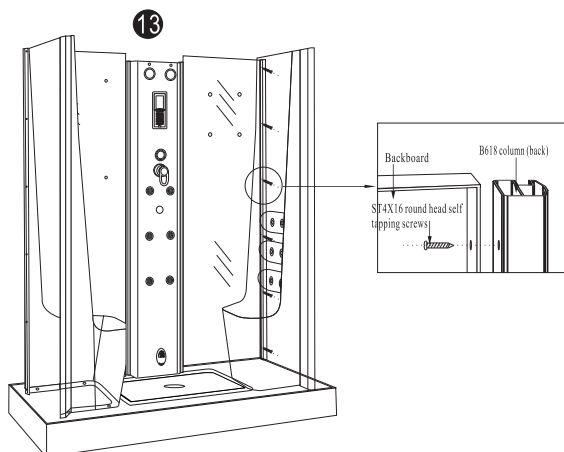
Step 10: Affix aluminum pole to right fixed glass.



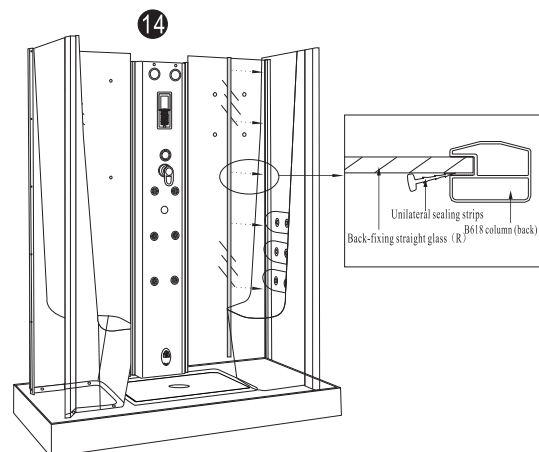
Step 11: Seal the joint using marine grade silicone.



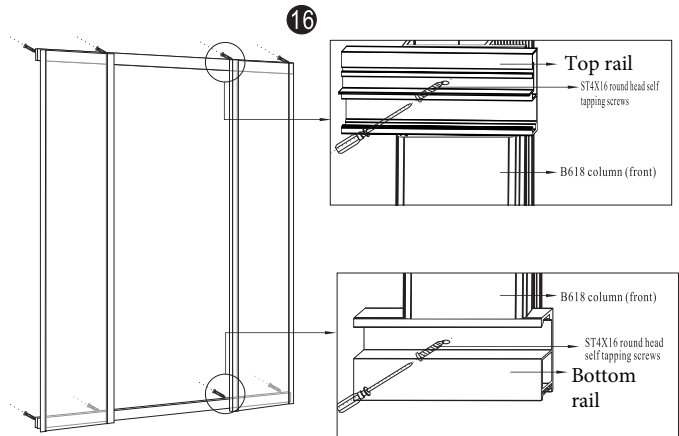
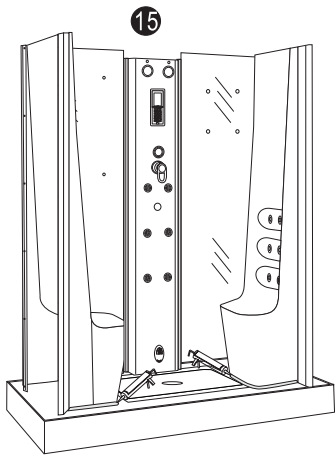
Step 12: Affix alluminum column to integrated seat as pictured.



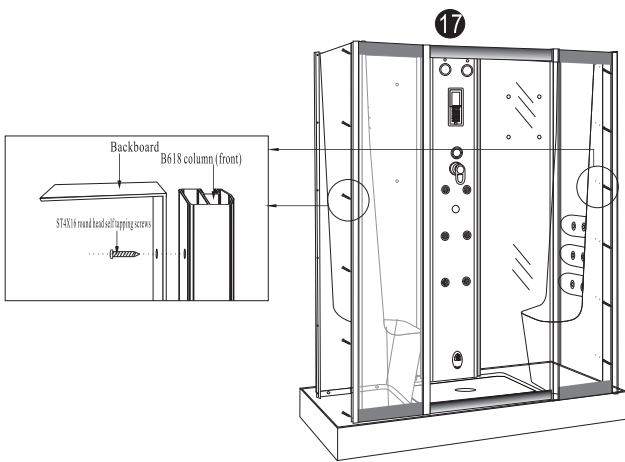
Step 13: Affix aluminum column to right integrated seat as illustrated.



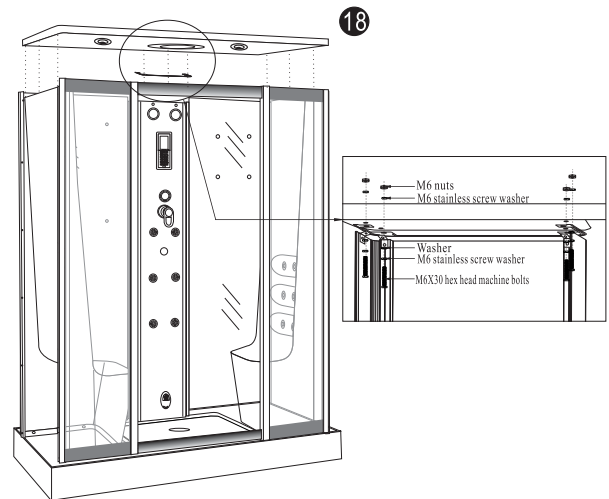
Step 14: Seal the joint using marine grade silicone.



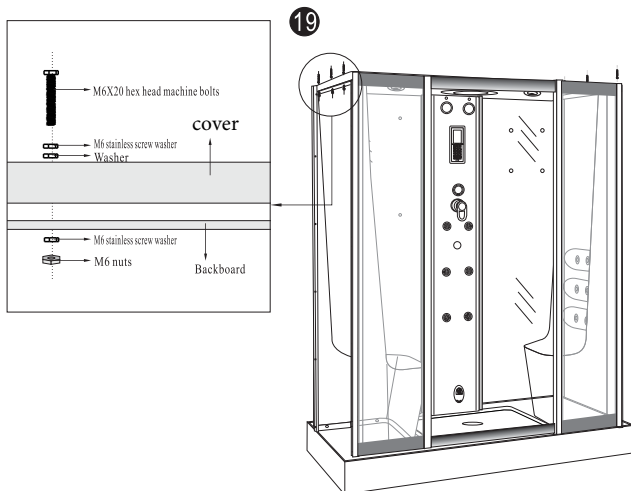
Step 16: Installing the top and bottom aluminum rails



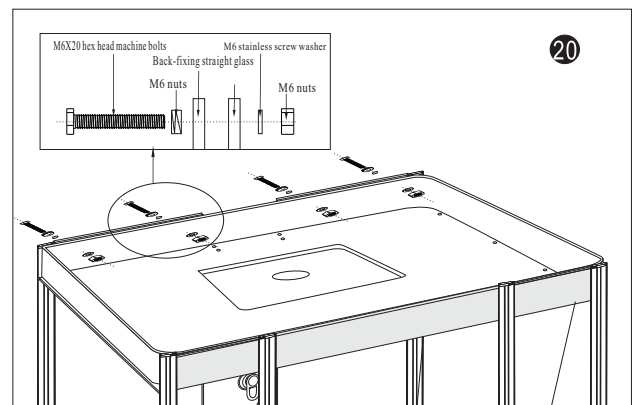
Step 17: Affix aluminum profile to integrated seat.



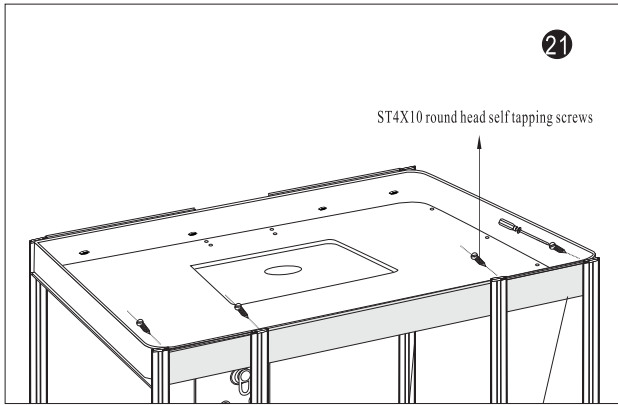
Step 18: Attach steam shower cover to center aluminum column using illustration above.



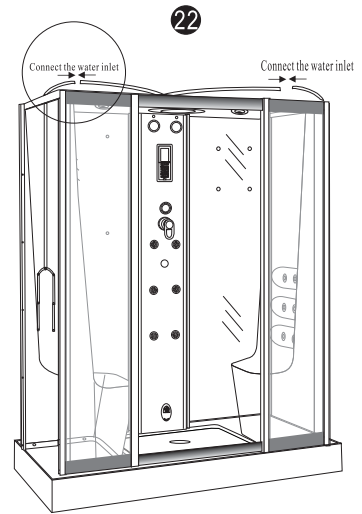
Step 19: Affix shower cover using screws in illustration.



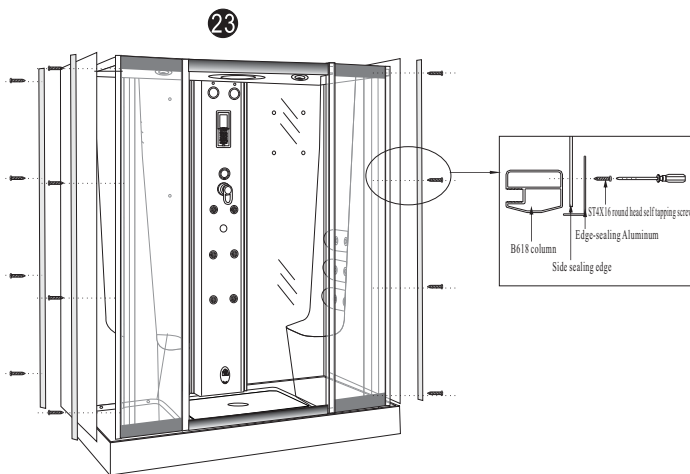
Step 20: Secure back fixed glass to shower cover.



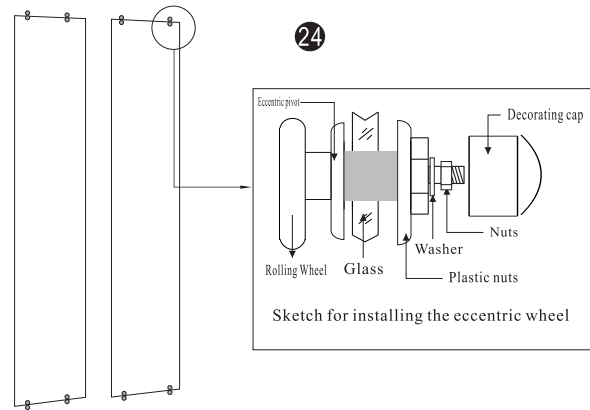
Step 21: Secure front fixed glass to shower cover



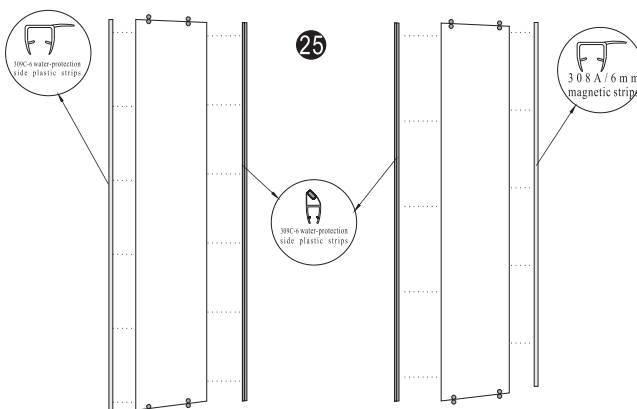
Step 22: Connect the water lines.



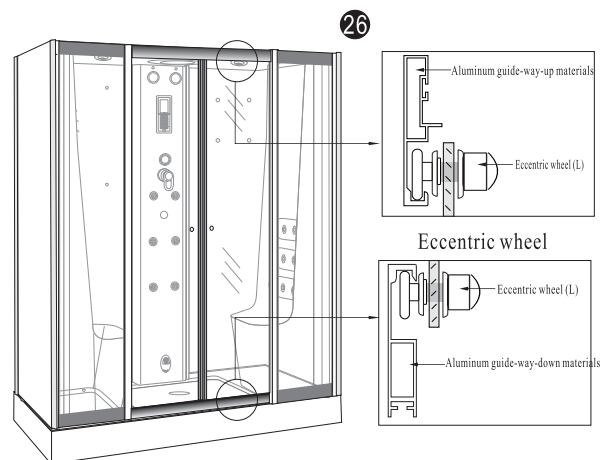
Step 23: Install side sealing edge



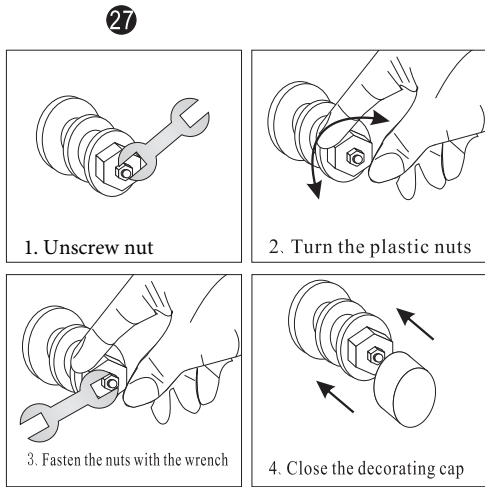
Step 24: Install the eccentric wheel (L)



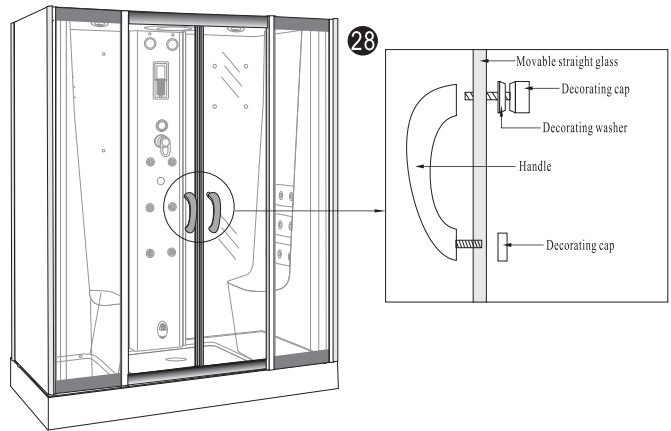
Step 25: Install the magnetic strips and the 309C-6 water-protection side plastic strips



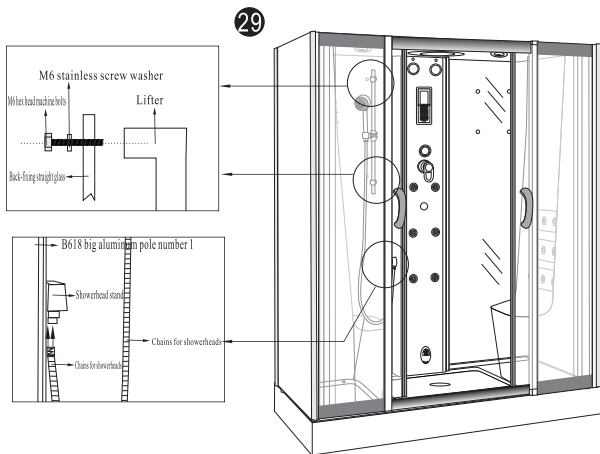
Step 26: Hang doors on upper and lower track



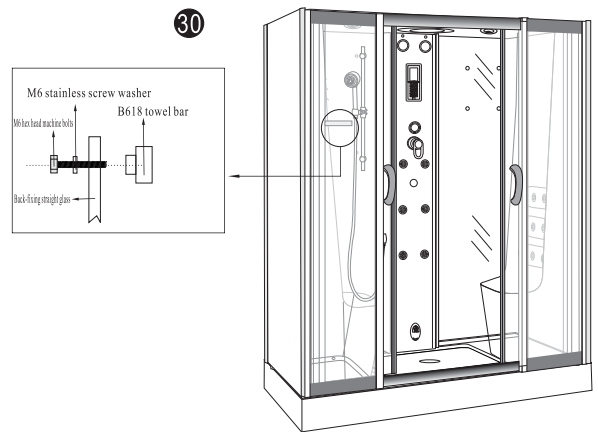
Step 27: Adjust the pulley till the glass door is tightly closed



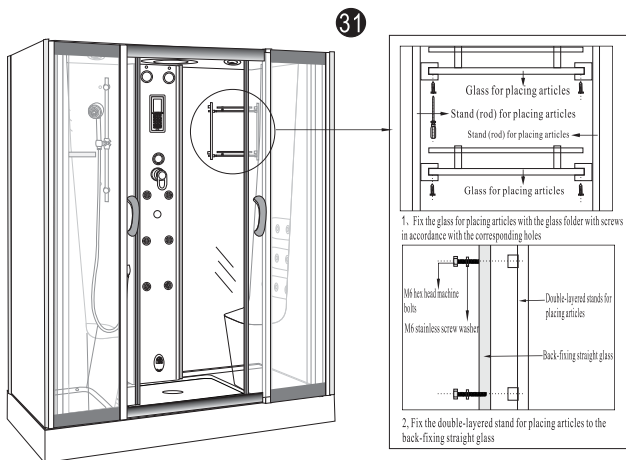
Step 28: Install the handle of the door



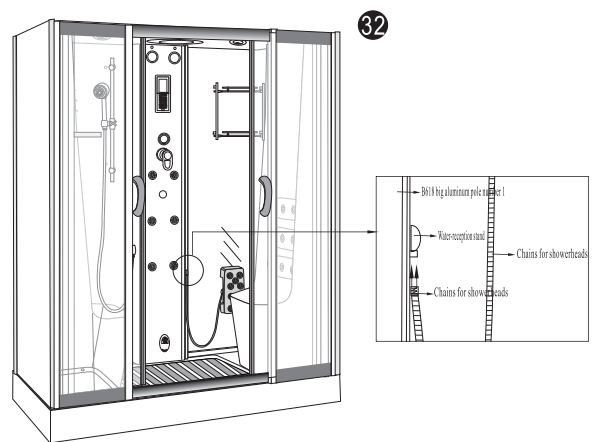
Step 29: Install the showerhead



Step 30: Install the towel bar

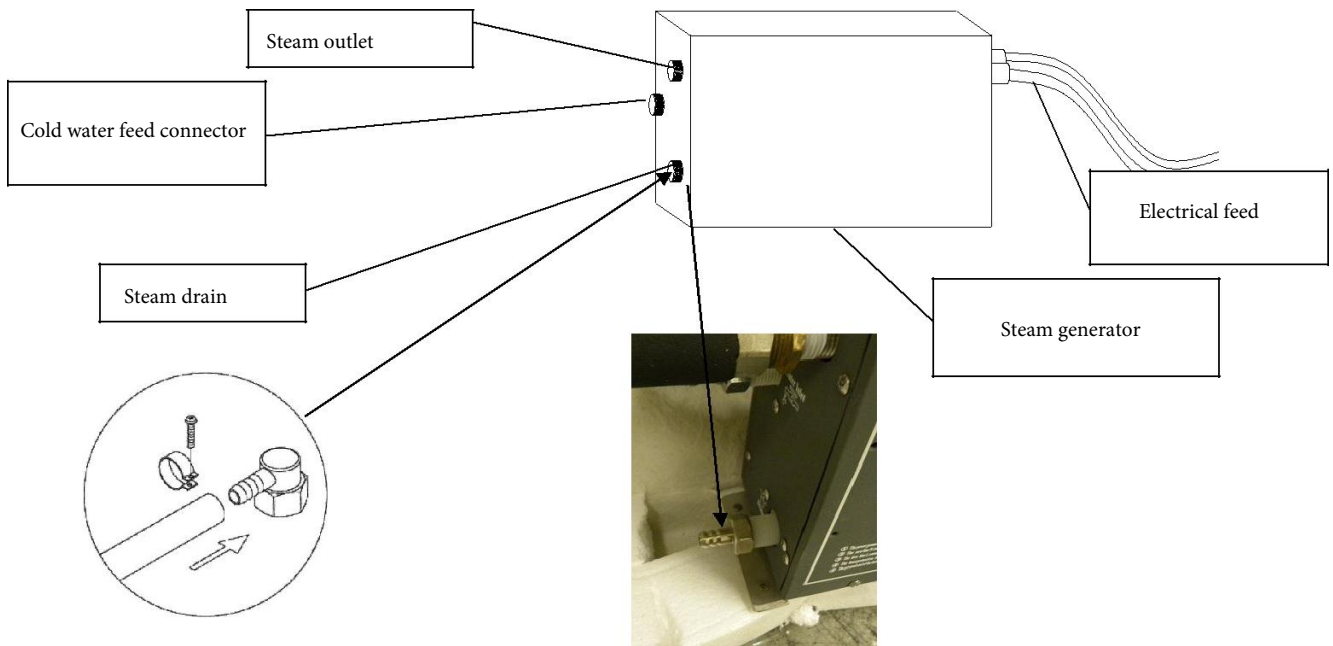


Step 31: Install the double-layered stands for placing articles



Step 32: Install foot massager with the wooden pedal

## final installation steps



1.) Connect all hoses to and from the Steam generator. The appropriate outlets/ inlets are labeled in the above diagram and are visible in the photo below. The Steam generator drain hose is pushed onto the fitting (straight or elbow) connected to the Steam Generator. It is secured to this fitting by a clamp and a 3/16 X 5/8 inch round head fastener as is shown in the above figure. It is also shown assembled in the photo below.

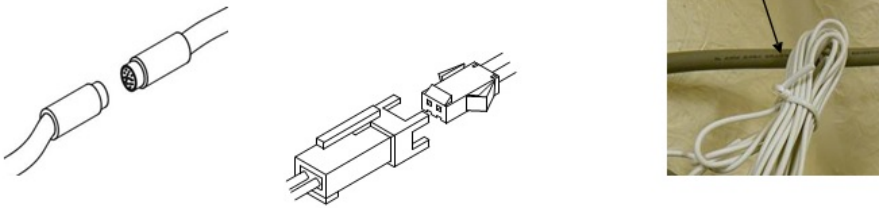
2.) When bending the insulated steam hose, please Use Extreme Care not to crimp the hose as you feed it through the appropriate hole in the tub section



3.) The all silver hose is the water supply feed hose to the Steam generator. It is attached here

4.) The rubber washer (gasket) that is secured by a wire tie is inserted into the end of Steam hose  
④ Connect the insulated black high temperature steam pipe, which is on the steam outlet, to the steam jet's connector on the spa's back panel. (Figure 10)

5.) Please refer to the labels (with icons) on the wires of the various low voltage components. They may include Telephone, CD player/ radio, loudspeaker, LED lights, fan, control panel, etc... Connect the wires sharing the same labels and/or properly mated connector pairs. The radio antenna will need to be unrolled and placed for best reception. See figure 12



6.) Connect the hot and cold water hoses, the red one is for hot water, while the blue one is for cold. Both the hot and cold water supply lines are half inch NPT pipe thread.

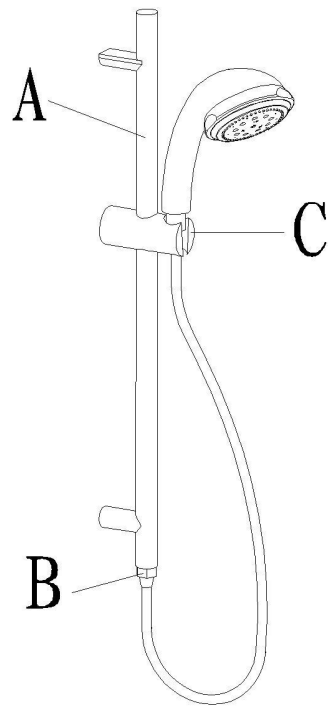
All electrical high voltage input wiring is to a terminal block as follows: 110 volt AC (as pictured to the right) is L1 or hot, neutral and ground. All 220 volt AC is L1 and L2 with ground. No neutral. Note: this is the inside of the box. The outside of the box and where the wires come from are described in the next photo

@ 110 volts	L1 (Hot)	Neutral	Ground
@ 220 volts	L1	L2 (no neutral)	Ground

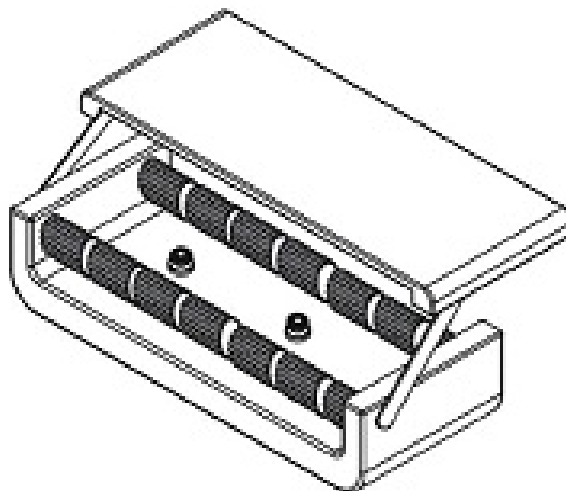
7.) While the Monaco shower Spa is still 16-24 inches away from its final installed position all joints and seams should be calked with a high grade silicone sealant. Then fully test the unit. Then slide it into its final installed position.

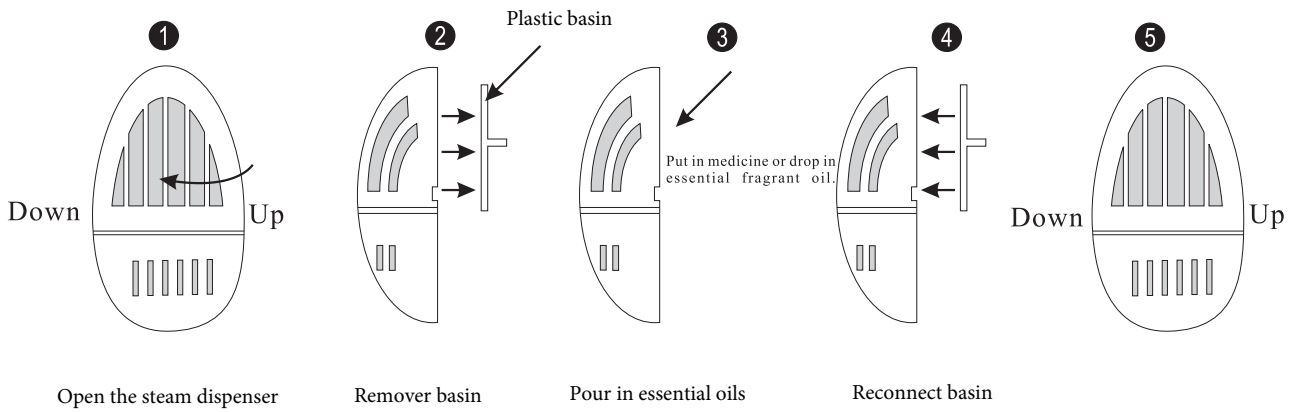
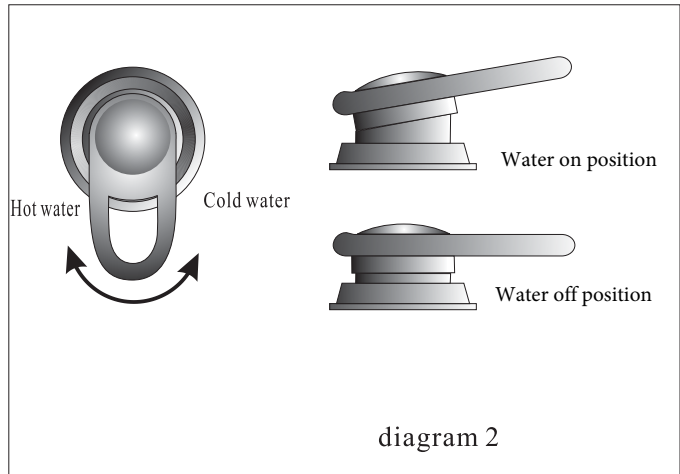
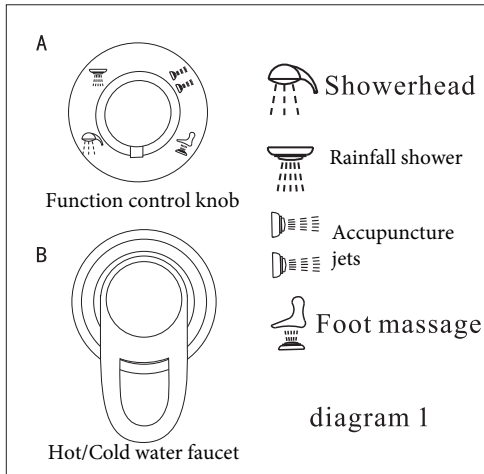
Spray and foot massager installation:

1.) Connect the hose of the hand-held shower head (B) by screwing it into nozzle (A) as depicted below and, then put the hand-held shower head into its cradle. (C)



2.) Use the same technique to install the foot massager unit. Its nozzle is located approximately 16 inches below the right side (as you enter) hand held sprayer nozzle. When using the foot massager open the cover of the unit as depicted in the illustration below





## Troubleshooting

Problem	Possible causes	Resolution
<b>Power Failure</b>	Residual current circuit breaker is power off, power supply is not connected, electric cabinet power supply is abnormal	Check and turn on the power
	The connection between the electric cabinet and the control panel not well connected	Check and connect
	Electric cabinet fuse burn-out	Replace the fuse and try again
	The Control panel is damaged	Replace the control panel and try again
<b>Function is available, but no display</b>	The connection between the electric cabinet and the Control panel are not well connected	Check and connect
	The Control panel is poor	Replace the new control panel and try again
<b>No light</b>	The connection between the electric cabinet and the under water lamps are not well connected	Check and connect
	The under water lamps load has fault	Replace the lamp bulb
<b>Out of control</b>	Disconnection between the control panel and the electric cabinet has occurred under the "ON" position	Check the connection between the control panel and the electric cabinet and restart
	The connection between the electric cabinet and the control panel has poor contact	Firmly connect the electric cabinet and the control panel
<b>Radio - no sound</b>	The function is not open or circuit failure	Turn on and check the circuit
	The channel or volume adjustment button is not on	Turn on the channel and adjusting the volume
	No signal	Poor receiving condition or strong interfere, pull out the antenna
<b>Remote controller failure</b>	Big remote control sending angle	Aiming the remote control to the receiving window
	There is strong electromagnetic interference nearby	Change to manual operation
	The battery capacity of the remote controller is insufficient	Replace the battery
<b>No steam</b>	No water in steam generator.	Check the water intake valve or water pipe.
	The room temperature is higher than the preset temperature.	Increase the preset temperature.
	The preset time is reached.	Adjust the time setting.
	The steam generator is too hot and the overheat protection function is working.	Check the heat protector of the steam generator.
	Failure of the heating coil of the steam generator.	Check and replace the heating coil of the steam generator.

Call our toll free service line at 800-290-6812 x102 for further assistance.

Attention: Within your warranty period please do not break the seal on the electrical box or the steam generator. Doing so will void your warranty. There are no user serviceable parts inside. DO NOT repair or replace these units on your own. If you do experience any problems, please contact Aquapeutics' Toll Free Customer Service line 1 (800) 290-6812 for after-sale service.

# User Guide

## Electrical control system E-BF600 function and usage

### Function overview

Function	Model	E-BF600
1. Back accpressure jets		✓
2. Steam		✓
3. Steam generator cleaner		✓
4. Overhead light		✓
5. Exhaust Fan		✓
6. Radio		✓
7. Alarm		✓

### The control system configuration

- 1) Handheld infrared remote controller (1)
- 2) Control panel (1)
- 3) Control electric box (1);
- 4) Steam Generator (1)
- 5) Top light (1)

### Control system features

1. Rated voltage: AC 240V
2. Maximum radio volume: 20 decibals
3. Rated frequency: 60Hz
4. Temperature range: 20-55 C
5. Steam time: 5-50 minutes
6. Temperature measuring error: 2°C
7. Power amplification output: 10WX1
8. Operating ambient temperature: +5°C~+40°C
9. Standby power: <10W

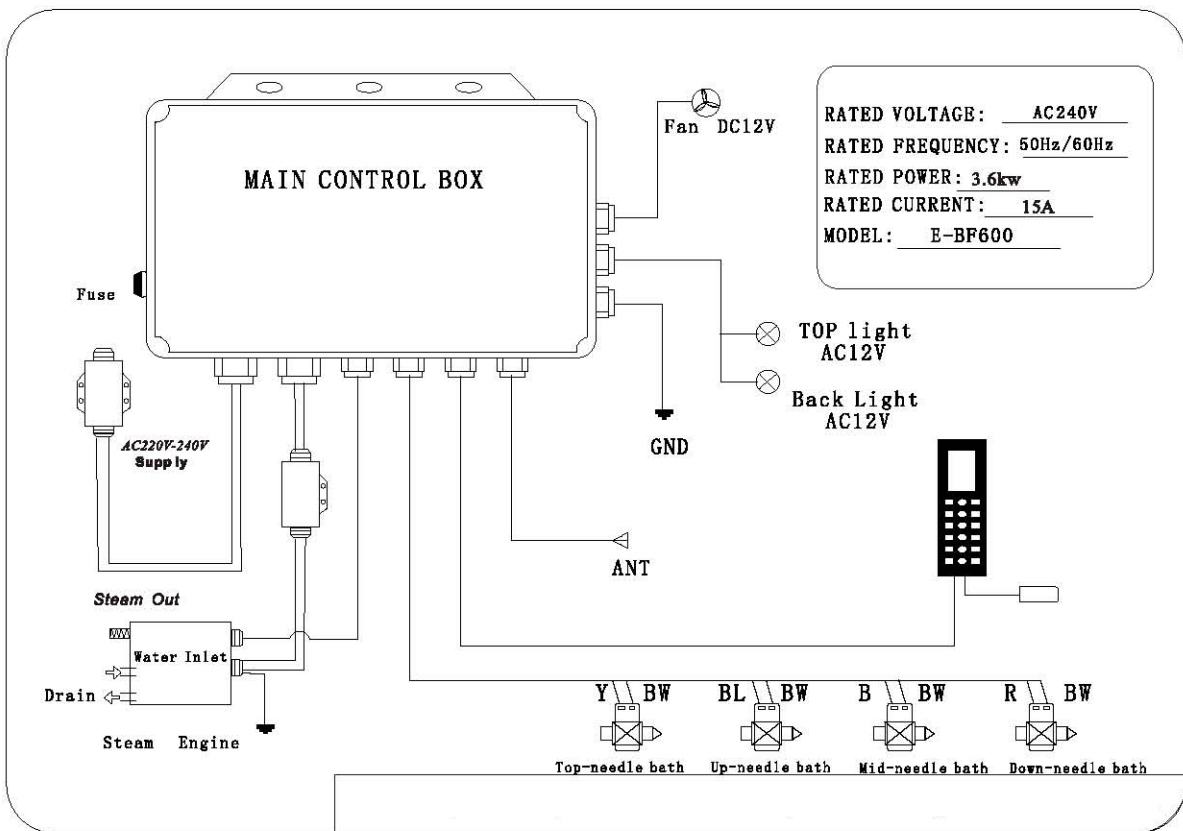
### Remote controller features

- 1) Operating voltage: 3.0VDC
- 2) Power supply: #7 batteries (2 pieces)
- 3) Expected service life of battery: over one year
- 4) Transmit range: at least three meters between the receiver and the infrared sensor
- 5) Transmit angle: usually about 60°
- 6) Transmit medium: infrared

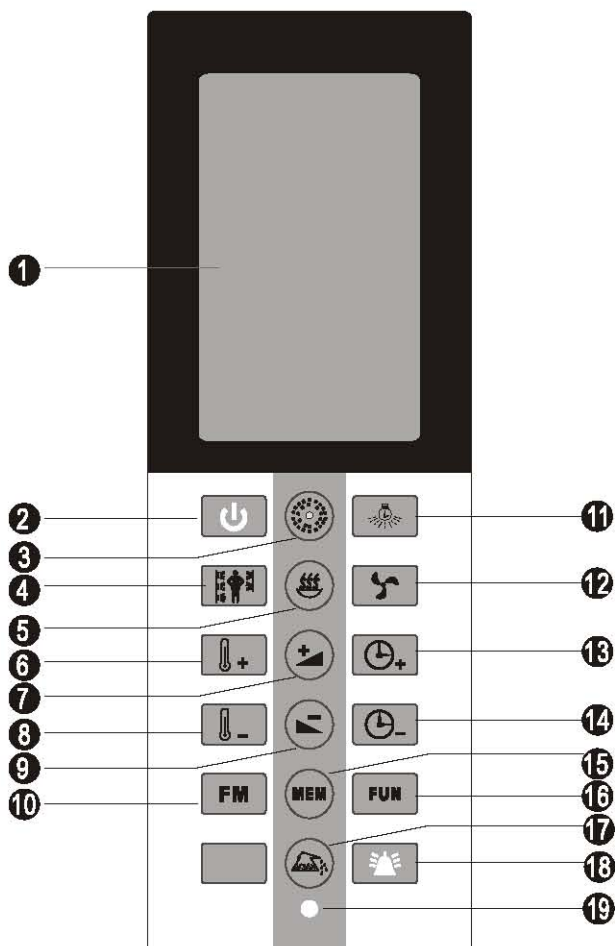
### Controlled devices

1. Steam Generator ; AC240V/60Hz 3.6KW
2. Electromagnetic valve: DC12V 6W
3. Exhaust fan: DC12V 3W
4. Top light: AC12V 3W

## BF600 ELECTRICAL SCHEMATICS

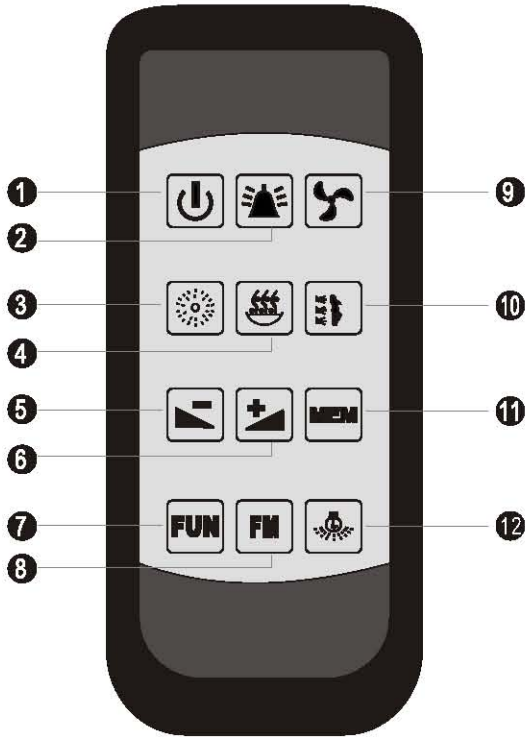


## BF600 CONTROL PANEL



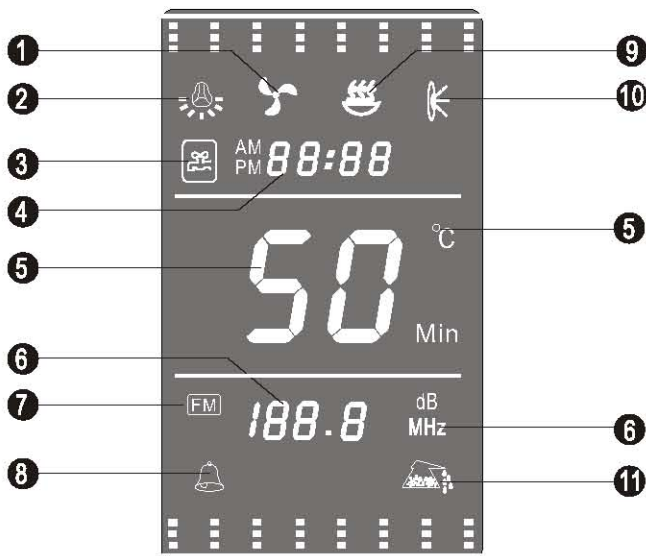
- |                     |                                     |
|---------------------|-------------------------------------|
| ① LCD Panel         | ⑪ Overhead light                    |
| ② Power             | ⑫ Exhaust fan                       |
| ③ N/A               | ⑬ Time +                            |
| ④ Accupuncture Jets | ⑭ Time -                            |
| ⑤ Steam             | ⑮ Radio station memory              |
| ⑥ Temperature +     | ⑯ Function button                   |
| ⑦ Volume +          | ⑰ Steam generator cleaning function |
| ⑧ Temperature -     | ⑱ Alarm                             |
| ⑨ Volume -          |                                     |
| ⑩ Radio             |                                     |

## REMOTE CONTROL



- ① Power
- ② Alarm
- ③ N/A
- ④ Steam
- ⑤ Volume -
- ⑥ Volume +
- ⑦ Function button
- ⑧ Radio
- ⑨ Exhaust fan
- ⑩ Accupuncture Jets
- ⑪ Radio station memory
- ⑫ Overhead light

## Computer LCD description



- ① Exhaust fan
- ② Light
- ③ Water intake
- ④ Time
- ⑤ Temperature display
- ⑥ Radio station
- ⑦ Radio frequency
- ⑧ Alarm
- ⑨ Steam
- ⑩ Spray
- ⑪ Steam generator cleaner

E-BF600 control panel function description

1 ON/OFF

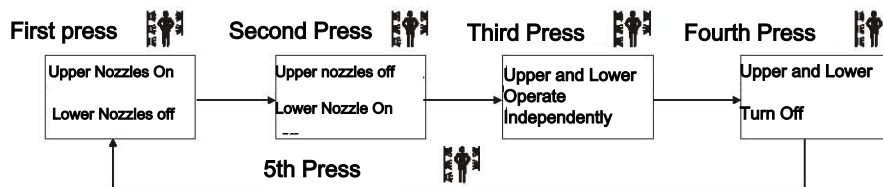
To turn the power on press the  icon from the control panel or remote control. To shut down the power press the power icon again to shut down. This will turn on the overhead light as well as display the room temperature, time, and overhead light icon on the display.

Press  icon again to shut down.




2 Accupuncture JJet Operation

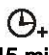
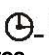
The Aspen acupuncture jets offer a series of options. The lower jets and upper jets can be operated independently or simultaneously depending on the number of times you press the acupuncture jet icon.

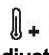





3. Steam Operation

Turn controller on and press  key on control panel or remote control. Once button is depressed you will see the steam icon appear on the control panel. Water will begin to fill in the steam generator and the room temperature will be displayed on your control panel. The steam setup time automatically defaults to 45 minutes and the temperature automatically defaults to 45 degrees celsius. If there is no water running to the steam generator then the LCD screen will indicate a lack of water. If this happens press the steam icon again to shut off. After one minute after the steam has been shut off the steam generator will automatically drain any excess water from the steam basin.

4. Steam duration and temperature setup

While the control panel is on, press the  or  key on the panel to increase or decrease the steam time keeping in mind that the default time is 45 minutes.

To adjust the temperature click on the  or  key to increase or decrease by one degree celsius. Press and hold the  or  for 1.5 seconds to adjust the time automatically and continuously. The temperature ranges from 5-50 degrees celsius.

5. Exhaust Fan

When the panel is on, press the  key on the panel or remote control to start up the exhaust fan. Press again to turn off.




## 6. Clock instructions

To adjust the time press the "FUN" key for 1.5 seconds and the time icon will flash on the display.

When the time icon begins to flash press the hour icon  to change the hour and press the  key to adjust the minutes.

## 7. Alarm

When there is an emergency, press the  key on the panel or remote control. and the speakers will give off an alarm sound. The alarm will also sound when there is something wrong with the system. When this happens there will be an EE message on the LCD screen. To turn off the alarm you must turn on the overhead light and exhaust fan at the same time and make sure all other functions are turned off. Only then can you disengage the alarm by pressing the on/off icon.



## 9. Overhead light

When you turn the steam shower on the overhead light will turn on automatically. To turn off simply touch the overhead light icon on the display or remote.